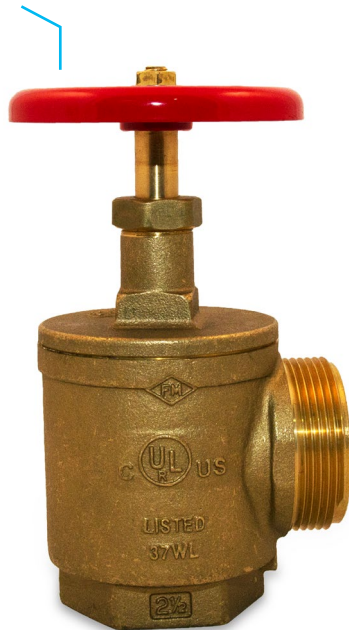


Angle Hose Valves Fig. 07-000



Description

Angle hose valves feature all brass* construction with forged or cast bodies for rigidity and light weight. Typical uses are in rack assemblies or any other application which requires a listed fire hose valve. Available in rough brass or polished chrome finish with a red hand wheel. UL, ULc Listed, FM Approved. Rated 300psi.

Installation

Install in accordance with customary installation practices. Use an approved thread sealant such as PipeFit® Thread Sealing Paste with PTFE on the male threads to which the valve is being installed.

DO NOT OVER TIGHTEN. Over tightening of the valve during installation to the male pipe threads may crack or deform the valve body. Only use tools suitable for the installation of this product. Do not use pipe wrench extenders to increase leverage on pipe wrenches. This may result in valve damage as well as personal injury.

The information contained herein is produced in good faith and is believed to be reliable but is provided for guidance and information purposes only. FPPI and its agents cannot assume liability or responsibility for results obtained in the use or misuse of its product by persons whose methods and qualifications are outside and beyond our control. It is the user's responsibility to determine the suitability of, methods of use, preparation prior to use, and appropriate installation for all products purchased from FPPI. It is the user's sole responsibility to observe and adapt such precautions as may be advisable or necessary for the protection of personnel and property in the handling and use of any of our products.

Specifications

Nomenclature and Material:

Material:

Cast or Forged Brass* Body

Finish:

Rough Brass

Polished Chrome*

Threads:

- 2 1/2" FNPT x FNPT
 - x MNST
 - x MBCT
 - x MQST
 - x MONT
 - x MPHX
 - x MTEM
 - x MCLV
 - x MNYFD
 - x MDET
 - x MCF
 - x MRCH
- 2 1/2" GRV x FNPT
 - x MNST
 - x MQST
 - x MNYFD
- 2 1/2" FNPT x 3 MNST
- 1 1/2" FNPT x FNPT
 - x MNST

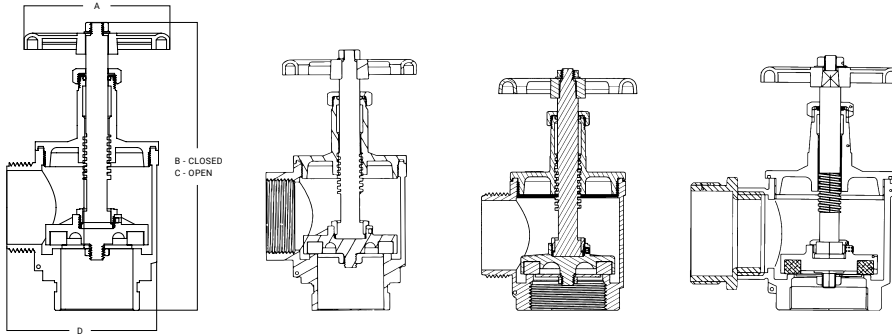
*Contains lead. Not for use in water systems intended for human consumption.



FPPI
An ASC Engineered Solution

PROJECT INFORMATION	APPROVAL STAMP
Project:	Approved
Address:	Approved as noted
Contractor:	Not approved
Engineer:	Remarks:
Submittal Date:	
Notes 1:	
Notes 2:	

Angle Hose Valves Fig. 07-000



Item Number	Configuration	A (IN)	A (MM)	B (IN)	B (MM)	C (IN)	C (MM)	D (IN)	C (MM)
07-000-00	2 1/2" FNPT X MNST	5"	127	8.64"	219.5	10.41"	264.5	5.2"	132
07-000-10	2 1/2" FNPT X MNST (PC)	5"	127	8.64"	219.5	10.41"	264.5	5.2"	132
07-001-00	2 1/2" GRV X MNST	5"	127	9.42"	239.3	11.2"	284.3	5.12"	130
07-001-02	2 1/2" GRV X MQST	5"	127	9.42"	239.3	11.2"	284.3	5.12"	130
07-001-03	2 1/2" GRV X MNYFD	5"	127	9.42"	239.3	11.2"	284.3	5.12"	130
07-002-00	2 1/2" FNPT X MBCT/ NYCORP	5"	127	8.64"	219.5	10.41"	264.5	5.2"	132
07-003-00	2 1/2" FNPT X MNYFD	5"	127	8.64"	219.5	10.41"	264.5	5.2"	132
07-004-00	2 1/2" FNPT X MQST	5"	127	8.64"	219.5	10.41"	264.5	5.2"	132
07-005-00	2 1/2" FNPT X MRCH	5"	127	8.64"	219.5	10.41"	264.5	5.2"	132
07-006-00	2 1/2" FNPT X MONT	5"	127	8.64"	219.5	10.41"	264.5	5.2"	132
07-008-00	2 1/2" FNPT X MPHX	5"	127	8.64"	219.5	10.41"	264.5	5.2"	132
07-010-00	2 1/2" FNPT X MTEM	5"	127	8.64"	219.5	10.41"	264.5	5.2"	132
07-012-00	2 1/2" FNPT X MCLV	5"	127	8.64"	219.5	10.41"	264.5	5.2"	132
07-014-00	2 1/2" FNPT X MDET	5"	127	8.64"	219.5	10.41"	264.5	5.2"	132
07-016-00	2 1/2" FNPT X MCF	5"	127	8.64"	219.5	10.41"	264.5	5.2"	132
07-020-00	2 1/2" FNPT X FNPT	5"	127	8.64"	219.5	10.41"	264.5	5.2"	132
07-021-00	2 1/2" GRV X FNPT	5"	127	9.42"	239.3	11.2"	284.3	5.12"	130
07-022-00	1 1/2" FNPT X MNST	3.89"	98.8	6.71"	170.4	7.81	198.5	3.84"	97.5
07-024-00	1 1/2" FNPT X FNPT	3.89"	98.8	6.71"	170.4	7.81	198.5	3.84"	97.5
07-050-00	2 1/2" FNPT X 3 MNST	5"	127	8.64"	219.5	10.41"	264.5	7.74"	196.5