

## TrimFit® Check Valves Fig. 09-572



### Specifications

**Material:**  
Cast Brass\* (C38000)

**Sizes:**  
1½" IPS\*\*  
2" IPS  
2½" IPS  
3" IPS  
4" IPS

**Configurations:**  
MNPT x GRV  
MNPT x FNPT  
GRV x GRV  
FNPT x FNPT 1½" only

\*Contains lead. Not for use in water systems intended for human consumption.  
\*\*1½" size is UL/ULc listed only.

### Description

Check valves feature cast brass\* bodies with a spring loaded clapper assembly making this valve suitable for vertical or horizontal installations. Features metal faced clapper with O-ring seat. Rated to 300 psi. Valve bodies are tapped and plugged ½" IPS for additional equipment such as a ball drip valve when used in conjunction with a Fire Department Connection or a pressure gauge when used in a supply line.

### Installation

Install in accordance with approved installation practices. Use an approved thread sealant such as PipeFit Thread Sealing Paste with PTFE on all threaded connections. Make sure that proper lubrication has been applied to groove coupling gaskets for groove end valves.

**DO NOT OVER TIGHTEN THREADED CONNECTIONS. OVERTIGHTENING MAY CAUSE DISTORTION OF THE BODY AND THREADS OF THE VALVE LEADING TO IMPROPER PERFORMANCE AND PRODUCT FAILURE.**



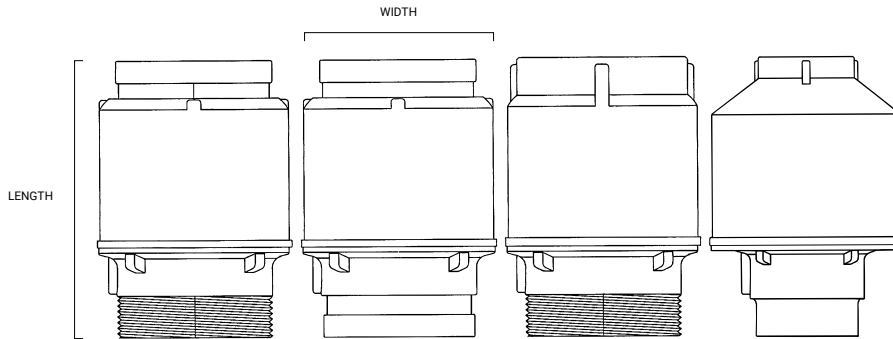
The information contained herein is produced in good faith and is believed to be reliable but is provided for guidance and information purposes only. FPPI and its agents cannot assume liability or responsibility for results obtained in the use or misuse of its product by persons whose methods and qualifications are outside and beyond our control. It is the user's responsibility to determine the suitability of, methods of use, preparation prior to use, and appropriate installation for all products purchased from FPPI. It is the user's sole responsibility to observe and adapt such precautions as may be advisable or necessary for the protection of personnel and property in the handling and use of any of our products.



PROJECT INFORMATION	APPROVAL STAMP
Project:	Approved
Address:	Approved as noted
Contractor:	Not approved
Engineer:	Remarks:
Submittal Date:	
Notes 1:	
Notes 2:	

## TrimFit® Check Valves Fig. 09-572

### Dimensions



Size	Item Number	Configuration	Length (IN)	Width (IN)	Length (MM)	Width (MM)
1 1/2"*	09-574-00	MNPT X GRV	6 15/16"	4 1/8"	176	105
1 1/2"*	09-575-00	MNPT X FNPT	6 1/16"	4 1/8"	154	105
1 1/2"*	09-576-00	GRV X GRV	6 15/16"	4 1/8"	176	105
1 1/2"*	09-577-00	FNPT X FNPT	5 9/16"	4 1/8"	150	105
2"	09-568-00	MNPT X GRV	6 1/4"	4 1/8"	157	105
2"	09-570-00	MNPT X FNPT	5 3/4"	4 1/8"	146	105
2"	09-572-00	GRV X GRV	6 1/4"	4 1/8"	157	105
2 1/2"	09-562-00	MNPT X GRV	6 15/16"	4 1/8"	176	105
2 1/2"	09-564-00	MNPT X FNPT	6 1/4"	4 1/8"	159	105
2 1/2"	09-566-00	GRV X GRV	6 15/16"	4 1/8"	176	105
3"	09-556-00	MNPT X GRV	6 13/16"	5 1/8"	173	128
3"	09-558-00	MNPT X FNPT	6 5/8"	5 1/8"	167	128
3"	09-560-00	GRV X GRV	6 13/16"	5 1/8"	173	128
4"	09-550-00	MNPT X GRV	8 1/8"	5 5/8"	206	142
4"	09-552-00	MNPT X FNPT	8"	5 5/8"	202	142
4"	09-554-00	GRV X GRV	8"	5 5/8"	202	142