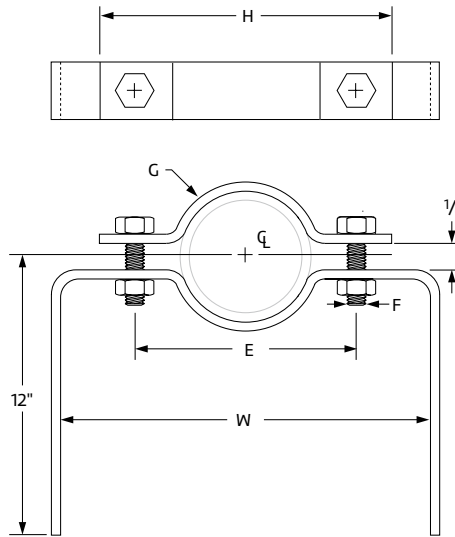


## Extended Pipe Clamp Fig. 100X



**Size Range:** ½" through 8"

**Material:** Carbon Steel

**Finish:**

Plain Hot-Dip Galvanized with Zinc Plated Fasteners

**Service:** For attachment to structure without use of rods.

**Maximum Temperature:**

Plain 650° F, Galvanized 450° F

**Ordering:** Specify pipe size, figure number, name and finish.

**Fig. 100X: Dimensions (in) • Weight (lbs)**

Pipe Size	W	E	F	G Width	H	Weight
½	5 <sup>5</sup> / <sub>8</sub>	2 <sup>7</sup> / <sub>8</sub>		1	4 <sup>1</sup> / <sub>4</sub>	1.85
¾	5 <sup>7</sup> / <sub>8</sub>	3 <sup>1</sup> / <sub>8</sub>			4 <sup>1</sup> / <sub>2</sub>	2.20
1	6 <sup>3</sup> / <sub>8</sub>	3 <sup>5</sup> / <sub>8</sub>	¾		5	2.25
1¼	6 <sup>7</sup> / <sub>8</sub>	4 <sup>1</sup> / <sub>8</sub>			5 <sup>1</sup> / <sub>2</sub>	2.34
1½	7 <sup>1</sup> / <sub>8</sub>	4 <sup>3</sup> / <sub>8</sub>		¼	5 <sup>3</sup> / <sub>4</sub>	2.39
2	8 <sup>3</sup> / <sub>8</sub>	5 <sup>1</sup> / <sub>8</sub>			6 <sup>7</sup> / <sub>8</sub>	3.25
2½	8 <sup>7</sup> / <sub>8</sub>	5 <sup>5</sup> / <sub>8</sub>	½		7 <sup>3</sup> / <sub>8</sub>	3.40
3	10	6 <sup>3</sup> / <sub>4</sub>			8 <sup>1</sup> / <sub>4</sub>	3.58
4	10 <sup>5</sup> / <sub>8</sub>	7 <sup>3</sup> / <sub>8</sub>		½	9 <sup>1</sup> / <sub>8</sub>	4.74
5	12 <sup>3</sup> / <sub>8</sub>	8 <sup>5</sup> / <sub>8</sub>			10 <sup>7</sup> / <sub>8</sub>	5.09
6	13½	9¾	5/8	2	12	8.23
8	15½	11¾			14	9.25



PROJECT INFORMATION	APPROVAL STAMP
Project:	Approved
Address:	Approved as noted
Contractor:	Not approved
Engineer:	Remarks:
Submittal Date:	
Notes 1:	
Notes 2:	