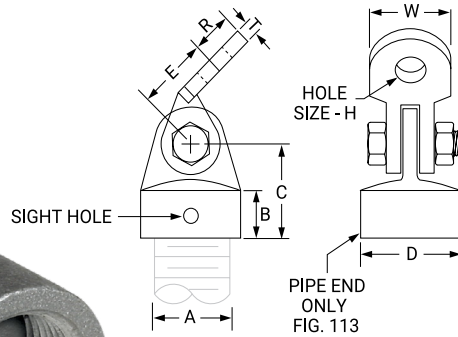


Brace Fittings

Fig. 112 Brace Fitting – Complete

Fig. 113 Brace Fitting – Pipe End Only



Material Specifications

Size Range
1" and 1 1/4"

Material
Malleable iron bracket and pipe end; hex cap screw and nut.

Finish
Plain

Service
For bracing piping against sway and seismic movement.

Installation
Normally two fittings are used; a Fig. 112 complete attached to one end of an IPS nipple and a Fig. 113 pipe end only attached to the other end.

The brace fitting completely connects to the building structure while the pipe end only connects to the pipe attachment. Use with Fig. 212FP pipe clamp.

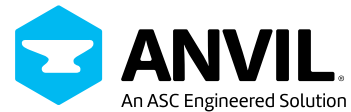
- Features**
- Two piece pivoted assembly accommodates any angle to structure.
 - Sight hole in pipe end provides easy means of verifying proper thread engagement.

Ordering
Specify size, figure number, name.

Dimensions (In) - Load (Lbs) - Weight (Lbs)

Pipe Size A	Max Load	Weight		B	C	D	E	Hole Dia. H	R	T	W
		Fig. 112	Fig. 113								
1	850	0.95	0.50	1	2 ³ / ₁₆	1 ¹¹ / ₁₆	1 1/2	9/16	3/4	1/4	1 1/2
1 1/4	1,150	1.40	0.80			2 ³ / ₁₆		3/4	7/8	5/16	1 3/4

Note:
■ Based on MSS-SP 127 at 450° F and maximum nipple length of 6 feet.



PROJECT INFORMATION	APPROVAL STAMP
Project:	Approved
Address:	Approved as noted
Contractor:	Not approved
Engineer:	Remarks:
Submittal Date:	
Notes 1:	
Notes 2:	