

Rod Coupling

Fig. 135 and 135i: Straight with Sight-Hole

Fig. 135E: Straight Less Sight-Hole

Fig. 135R: Reducing



Description

Size Range
1/4" through 1"

Material
Carbon steel

Finish
Fig. 135 and 135i: Plain;
Fig. 135E Zinc Plated and
Fig. 135R Zinc Plated

Service
For connecting rods to accommodate up to 1" diameter and support up to 5,900 pounds.

Ordering
Specify rod size, figure number and name.



PROJECT INFORMATION	APPROVAL STAMP
Project:	Approved
Address:	Approved as noted
Contractor:	Not approved
Engineer:	Remarks:
Submittal Date:	
Notes 1:	
Notes 2:	

Rod Coupling

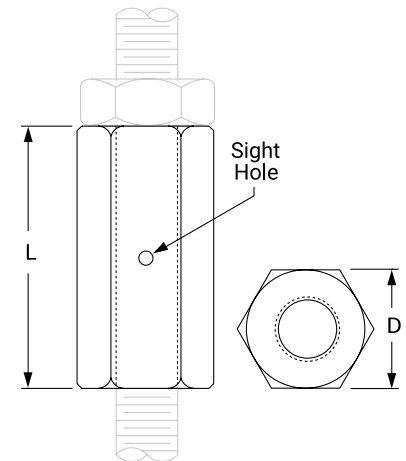
Fig. 135 and 135i: Straight with Sight-Hole

Fig. 135E: Straight Less Sight-Hole

Fig. 135R: Reducing

Dimensions (In) • Loads (Lbs) • Weights (Lbs)

Rod Size A	Max Load	Weight	D	L
Fig. 135 & 135i: Straight With Sight-Hole				
3/8	730	0.09	9/16	1 1/8
1/2	1,350	0.12	3/4	1 1/2
5/8	2,160	0.24	15/16	1 7/8
3/4	3,230	0.42	1 1/8	2 1/4
7/8	4,480	0.66	1 5/16	2 5/8
1	5,900	1.00	1 1/2	3
Fig. 135E: Straight Less Sight-Hole				
1/4	240	0.03	3/8	7/8
3/8	730	0.09	5/8	1 1/8
1/2	1,350	0.14	11/16	1 3/4
5/8	2,160	0.26	13/16	2 1/8
3/4	3,230	0.34	1	2 1/4
7/8	4,480	0.55	1 1/4	2 1/2
1	5,900	0.75	1 3/8	2 3/4
Fig. 135R: Reducing				
3/8 X 1/4	240	0.13	5/8	1 1/2
1/2 X 3/8	730	0.13	11/16	1 1/4
5/8 X 1/2	1,350	0.19	13/16	1 1/4
3/4 X 5/8	2,160	0.26	1	1 1/2
7/8 X 3/4	3,230	0.41	1 1/4	1 3/4



asc-es.com

Building connections that last™