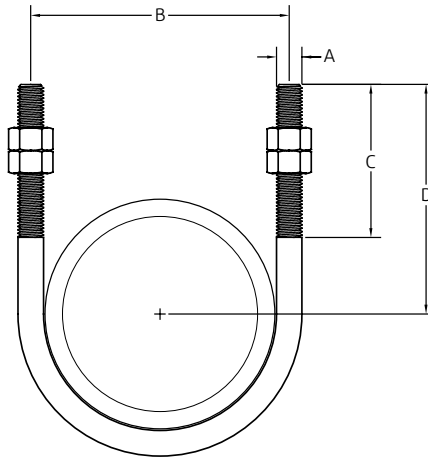


## Stainless Steel U Bolt Fig. 137SSG



**Size Range:** 1" – 8" NPS (for larger sizes up to 24" contact ASC Customer Service)

**Material:** 316 Stainless Steel U-Bolt and four (4) hex nuts

**Service:** Recommended for support, or guide of heavy loads; often employed in power, process plant and marine service.

**Maximum Temperature:** 450°F / 650°F

**Approvals:** MSS SP-58 (Type-24)

**Ordering:** Pipe size and figure number.

**Notes:**

- For U.S. domestic product contact ASC Customer Service

**Fig. 137SSG: Dimensions (in) • Loads (lbs)**

Pipe Size	Rod Size A	Max Normal Load		Max Side Load		B	C	D
		450°F	650°F	450°F	650°F			
1	1/4	500	454	120	110	1 5/8	2 1/8	2 3/4
1 1/4	3/8					2 1/16	2 1/8	2 7/8
1 1/2	3/8	1240	1144	310	280	2 3/8	2 1/2	3
2	3/8					2 13/16	2 1/2	3 1/4
2 1/2	1/2					3 7/16	3	3 3/4
3	1/2	2300	2070	570	515	4 1/16	3	4
4	1/2					5 1/16	3	4 1/2
6	5/8	3675	3310	915	825	7 3/8	3 1/2	6 1/8
8	5/8					9 3/8	3 1/2	7 1/8

**Notes:** When the combination of a normal load and a side load occurs, a straight line interaction formula may be used to determine if the Fig. 137SSG is still within the allowable stress range:

$$P_n / P_{na} + P_s / P_{sa} \leq 1$$

Where:

$P_n$  = Actual applied normal load;

$P_{na}$  = Allowable normal load for the Fig. 137SSG;

$P_s$  = Actual applied side load;

$P_{sa}$  = Allowable side load for the Fig. 137SSG

Nuts must be snug tight in installation to achieve side loads shown.



PROJECT INFORMATION	APPROVAL STAMP
Project:	Approved
Address:	Approved as noted
Contractor:	Not approved
Engineer:	Remarks:
Submittal Date:	
Notes 1:	
Notes 2:	