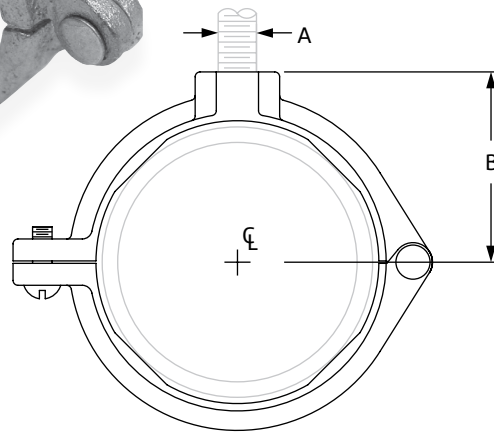


Extension Split Pipe Clamp (Rod Threaded) Fig. 138R



Size Range: 3/8" through 3"

Material: Malleable Iron

Finish: Plain or Zinc Plated

Service: Recommended for non-insulated stationary pipe lines.

Maximum Temperature: 450° F

Approvals: Complies with Federal Specification A-A-1192A (Type 12) WW-H-171-E (Type 25), ANSI/MSS SP-69 and MSS SP-58 (Type 12).

Features:

- Rapid installation assured by hinged design and single closure screw.
- When used with nipple this clamp is particularly adaptive for use on refrigeration or compressor piping subject to vibration.
- Interior design provides firm grip on pipe.
- Inside of ring tapered to prevent entrapment of condensed moisture.

Ordering: Specify pipe size, figure number, name and finish.



Fig. 138R: Dimensions (in) • Loads (lbs) • Weight (lbs)

| Pipe Size | Max Load | Weight | Rod Size A | B |
|-----------|----------|--------|------------|---------|
| 3/8 | 180 | 0.10 | 3/8 | 13/16 |
| 1/2 | | 0.13 | | 7/8 |
| 3/4 | | 0.14 | | 1 |
| 1 | | 0.16 | | 1 1/8 |
| 1 1/4 | | 0.22 | | 1 5/16 |
| 1 1/2 | | 0.24 | | 1 7/16 |
| 2 | 300 | 0.31 | 1/2 | 1 11/16 |
| 2 1/2 | | 0.60 | | 2 1/8 |
| 3 | | 0.74 | | 2 7/16 |

| PROJECT INFORMATION | APPROVAL STAMP |
|---------------------|-------------------|
| Project: | Approved |
| Address: | Approved as noted |
| Contractor: | Not approved |
| Engineer: | Remarks: |
| Submittal Date: | |
| Notes 1: | |
| Notes 2: | |