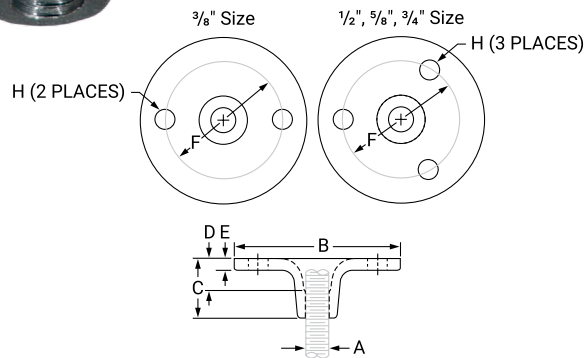


Pipe Hanger Flange  
Fig. 153



## Material Specifications

**Size Range**  
3/8" through 3/4"

**Material**  
Malleable iron

**Finish**  
Plain

**Service**  
Recommended for suspension of pipe lines or conduit from level ceilings.

**Approvals**  
UL, ULC Listed and FM Approved (Sizes 3/8" and 1/2").

**Installation**  
Flange size 3/8" has two holes, sizes 1/2", 5/8", and 3/4" have three holes.

- Features**
- Provides vertical adjustment up to 1".
  - Good appearance.

**Ordering**  
Specify rod size, figure number and name.

Dimensions (In) - Load (Lbs) - Weight (Lbs)

Rod Size A	Max Load	Weight	Size Screw "H" (not included)	B	C	D	E	Screw Circle Dia. - F
In.	Lbs.	Lbs.	In.	In.	In.	In.	In.	In.
3/8	425	0.4	#18 x 1 1/2	2 7/8	1 3/8	7/8	3/16	2
1/2	1,050	0.9	3/8 x 2	4	1 1/2	15/16	1/4	2 7/8
5/8	1,220	1.5	1/2 x 2	4 3/4	1 5/8	1	5/16	3 3/8
3/4	1,270	2.2	9/16 x 2	5 1/4	1 7/8	1 1/16	3/8	3 5/8



PROJECT INFORMATION	APPROVAL STAMP
Project:	Approved
Address:	Approved as noted
Contractor:	Not approved
Engineer:	Remarks:
Submittal Date:	
Notes 1:	
Notes 2:	