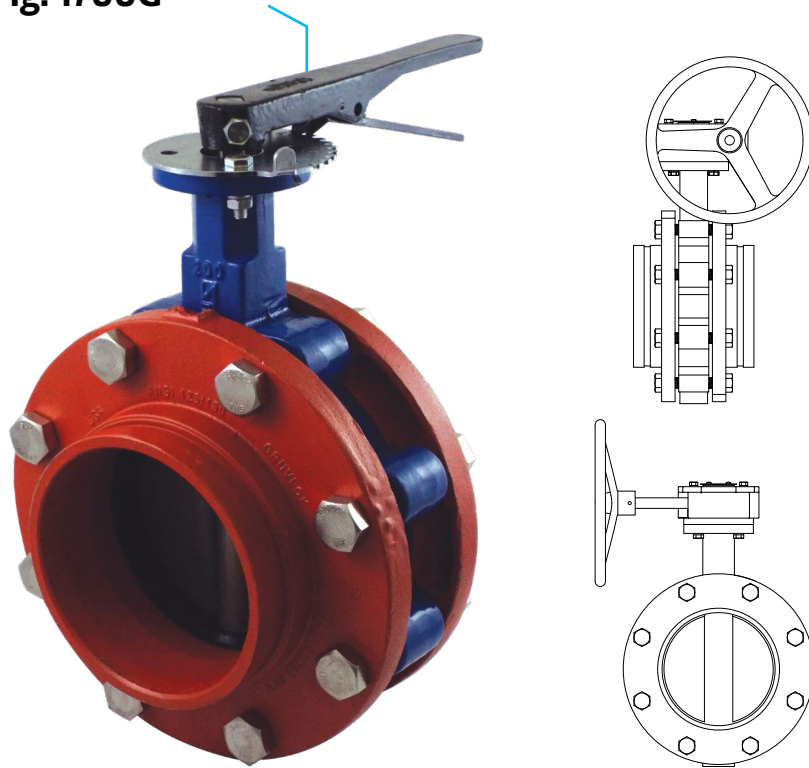


Gruvlok® Butterfly Valve Fig. 1700G



Material Specifications

Housing

Ductile Iron conforming to ASTM A536, Grade 65-45-12

Coatings*

Flange Adapters: Rust inhibiting paint
(Color: Orange)

Valve: Fusion bonded epoxy (Color: Blue)

Seat

EPDM -30°F to 275°F

Nitrile -20°F to 180°F

Operator

10 Position Lockable Lever Handle

Gear Operator

Bare Stem

*For other coating requirements, contact an ASC Engineered Solutions™ Representative .

Our figure 1700G grooved end butterfly valve is offered in 2" through 12" sizes and is designed to be used in standard mechanical system applications up to 200 psi and temperatures ranging from -30°F to 275°F.

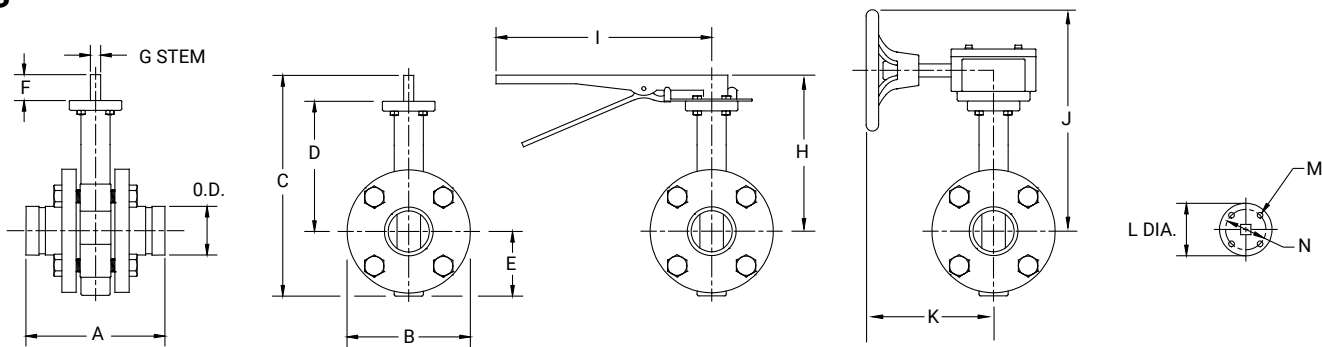
Features

- 316 Stainless Steel Disc
- 416 Stainless Steel Stem
- Pinless Disc & Stem Design
- Bi-directional
- Suitable for Dead End Service
- Seat design eliminates the need for flanged gaskets
- ISO 5211 Mounting Pad
- MSS SP-25 Markings
- MSS SP-67
- API 609
- EPDM seat -30°F to 275°F



PROJECT INFORMATION	APPROVAL STAMP
Project:	Approved
Address:	Approved as noted
Contractor:	Not approved
Engineer:	Remarks:
Submittal Date:	
Notes 1:	
Notes 2:	

Gruvlok® Butterfly Valve Fig. 1700G



Series 17 Butterfly Valve – Dimensions (inches)

Nominal Size*	O.D.	A	B	C	D	E	F	G	H	I	J	K	L	M	N	Weight
2	2.375	6.77	6	10.74	6.33	3.15	1.26	0.35	7.59	6.39	10.78	6.1	2.56	0.27	1.96	20.23
2 ½	2.875	6.87	7	11.65	6.89	3.5	1.26	0.35	8.15	10.5	11.34	6.1	2.56	0.27	1.96	24.64
3	3.5	6.93	7.5	12.12	7.12	3.74	1.26	0.35	8.38	10.5	11.57	6.1	2.56	0.27	1.96	27.97
4	4.5	7.65	9	13.62	7.87	4.49	1.26	0.43	9.13	10.5	12.32	6.1	3.54	0.39	2.76	44.43
5	5.563	7.78	10	14.64	8.38	5	1.26	0.55	9.64	10.5	12.83	6.1	3.54	0.39	2.76	58.79
6	6.625	7.8	11	15.63	8.89	5.48	1.26	0.55	10.15	10.5	13.34	6.1	3.54	0.39	2.76	71.03
8	8.625	8.49	13.5	18.89	10.23	6.89	1.77	0.67	12	14.21	17.86	8.74	4.92	0.47	4.01	99.22
10	10.75	9.5	16	21.26	11.49	8	1.77	0.86	13.26	19.64	19.17	8.74	4.92	0.47	4.01	169.04
12	12.75	10.15	19	22.8	13.26	7.77	1.77	0.86	15.03	19.64	20.94	8.38	5.51	0.47	4.01	244.25

Published weights for 2" through 8" sizes include lever operator. 10" and 12" size weights include gear operator.



asc-es.com

Building connections that last™

Gruvlok® Butterfly Valve Fig. 1700G

Technical Information

Size	Gear Op			C _v									Torque			
	Output Lbs	Ratio	Gear Box	10°	20°	30°	40°	50°	60°	70°	80°	90°	50 psi	100 psi	150 psi	200 psi
2	1504	24:1	1 Stage	0.1	5	12	24	45	64	90	125	135	70	105	108	115
2-½	1504	24:1	1 Stage	0.2	8	20	37	65	98	144	204	220	100	150	136	152
3	1504	24:1	1 Stage	0.3	12	22	39	70	116	183	275	302	150	250	192	204
4	1504	24:1	1 Stage	0.5	17	36	78	139	230	364	546	600	230	260	328	352
5	1504	24:1	1 Stage	0.8	29	61	133	237	392	620	930	1022	350	530	512	548
6	1504	24:1	1 Stage	2	45	95	205	366	605	958	1437	1579	460	680	831	907
8	6195	30:1	1 Stage	3	89	188	408	727	1202	1903	2854	3136	740	1110	1527	1697
10	6195	30:1	1 Stage	4	151	320	694	1237	2947	3240	4859	5340	1330	1880	2530	2857
12	12620	50:1	1 Stage	5	234	495	1072	1911	3162	5005	7507	8250	2260	3150	3794	4338

Size (in)	Pressure Rating (psi)	Temperature Rating (°F)			
		EPDM		Buna N	
		Min	Max	Min	Max
2 - 8	200	-30	275	10	180

Published weights for 2" through 8" sizes include lever operator. 10" and 12" size weights include gear operator.



asc-es.com

Building connections that last™