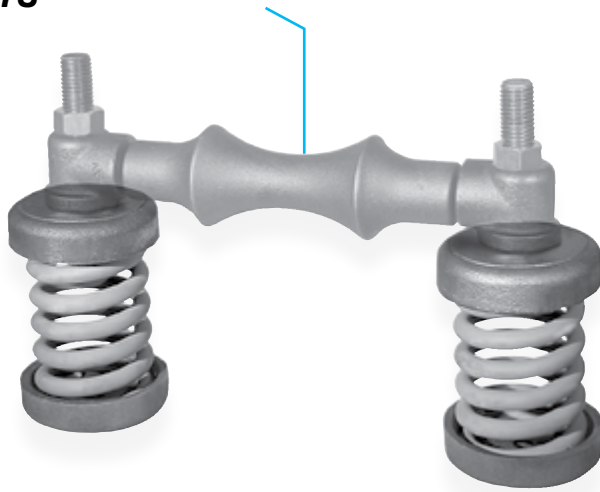


Spring Cushion Hanger Fig. 178



Material: Spring cushion hanger Fig. 178 consists of a set of two springs and four cast iron retainers only.

Finish: Retainers: Plain or Hot-Dip Galvanized, Springs: Painted

Service: Generally used with Fig. 171 single pipe roll as shown in photo. Recommended for installations where formal load and movement calculations are not required, or calculated movement does not exceed 1/4".

Maximum Temperature: 400°F at roller

Approvals: Complies with Federal Specification A-A-1192A (Type 49), WW-H-171-E (Type 50), ANSI/MSS SP-69 and MSS SP-58 (Type 49).

Ordering: Specify figure number, name and rod size. If used with Fig. 171 single pipe roll, pipe roll must be ordered separately. The retainers are casted to the dimensions as shown, but center hole can be drilled or reamed larger to satisfy the hanger rod required, up to the max rod size.

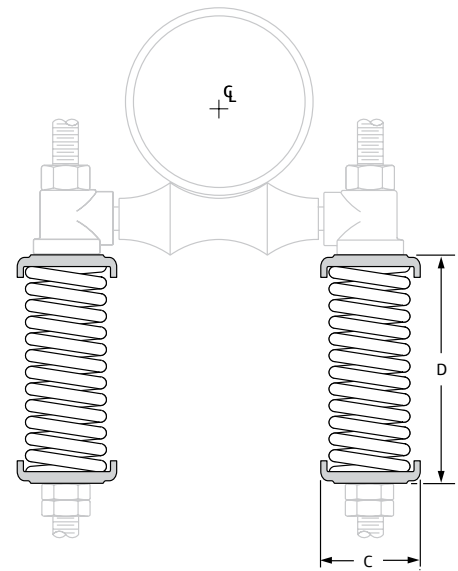


Fig. 178: Dimensions (in) • Loads (lbs) • Weight (lbs)

Spring No.	Max Spring Deflection*	Load at Max Deflection ■	Deflection Rate of Hanger (lbs / inch)	Weight	C	D	Core Hole Dia.	For Rod Size	Max Rod Size** A
1		535	428	4.5	2 ¹ / ₃₂	6 ⁷ / ₁₆	7 ⁷ / ₁₆	3 ³ / ₈	3 ³ / ₄
2	1/4	1,500	1,200	14.0	4 ¹ / ₈	6 ¹ / ₁₆	9 ⁹ / ₁₆	1/2	
3		3,000	2,400	22.0	4 ¹ / ₈	9 ⁹ / ₁₆	1 ⁵ / ₁₆	7/8	1 1/2

*At maximum recommended deflection, spring can be compressed an additional 1/4" before becoming solid.

■ Maximum capacity of double spring hanger.

**Can be drilled to max. rod size.



PROJECT INFORMATION	APPROVAL STAMP
Project:	Approved
Address:	Approved as noted
Contractor:	Not approved
Engineer:	Remarks:
Submittal Date:	
Notes 1:	
Notes 2:	