

## Two Hole 90° Side Mount Strap Fig. 187 (Formerly Afcon Fig. 511)

**Size Range:** 3/4" through 2"

**Finish:** Zinc Plated Steel (Hot-Dip Galvanized optional)

**Service:** Hanger for CPVC pipe in the horizontal position on the bottom of structural wood beams and Steel 20 Ga. (min.) (Fig. A). Can be used as a restrainer, only in Steel 20 Ga. (min.) (Fig. B). During installation, adjust hanger mounting flanges such that pipe contacts both mounting surface and hanger, minimizing vertical pipe movement.

**Approvals:** UL and ULC Listed.

**Installation:**

- Snap hanger over pipe.
- Secure hanger to mounting surface with screws provided.
- Do not anchor tightly to mounting surface. Pipe must be allowed to move freely through hanger.
- Steel applications require two (2) #14 x 1" hex washer head self-drilling TEK screws. Not Supplied. Part Number STD-0090.

**Features:**

- Beveled edge design helps protect the CPVC pipe from any rough surface.
- Easily attaches to wood structure with #10 x 1" hex washer head self threading screw supplied with product. No pre-drilling required.

**Ordering:** Specify CPVC pipe size, figure number and description.

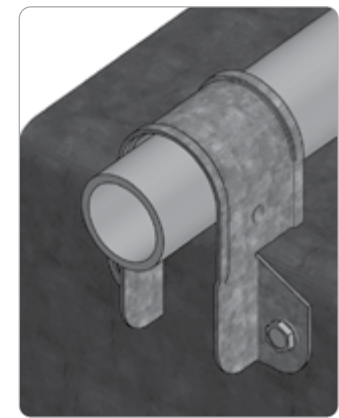
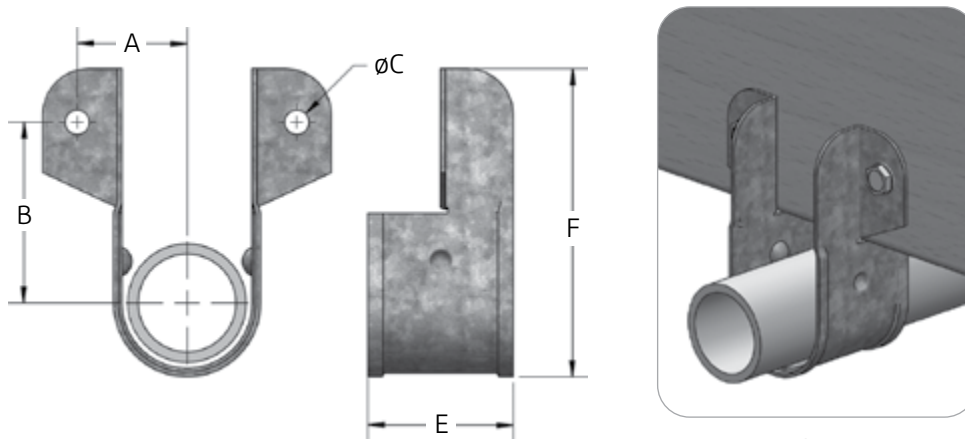


Fig. A

Fig. B

Fig. 187: Dimensions (in) • Weight (lbs)

CPVC Pipe Size	A	B	ØC	E	F	Max. Hanger Spacing (ft.)	Approx. Weight/100 (lbs)
3/4	15/16	1 1/2	3/16	1 3/16	2 1/2	5 1/2	5
1	1	1 9/16	3/16	1 3/16	2 3/4	6	6
1 1/4	1 3/16	1 3/4	3/16	1 3/16	3 1/4	6 1/2	7
1 1/2	1 5/16	1 11/16	3/16	1 3/16	3 1/2	7	8
2	1 9/16	2 1/8	3/16	1 3/16	3 13/16	8	9

PROJECT INFORMATION	APPROVAL STAMP
Project:	Approved
Address:	Approved as noted
Contractor:	Not approved
Engineer:	Remarks:
Submittal Date:	
Notes 1:	
Notes 2:	