

## Two Hole Standoff Hanger and Restrainer Fig. 188R (Formerly Afcon Fig. 514)

**Size Range:** 3/4" through 2"

**Material:** Carbon Steel

**Finish:** Pre-Galvanized per ASTM A653

**Service:**

- Hanger and surge restraint for horizontal CPVC, steel, and copper piping when installed on the top, bottom, and side of the supporting structure.
- Guide for vertical CPVC, steel, and copper piping when installed on the side of the supporting structure.
- Horizontal and vertical seismic restraint per NFPA 13–2016 requirements.
- May be installed with concrete, steel structural members, and other structural members with fasteners which comply with the requirements of NFPA 13.

**Approvals:** cULus Listed

**Patents:** No. 6,648,278

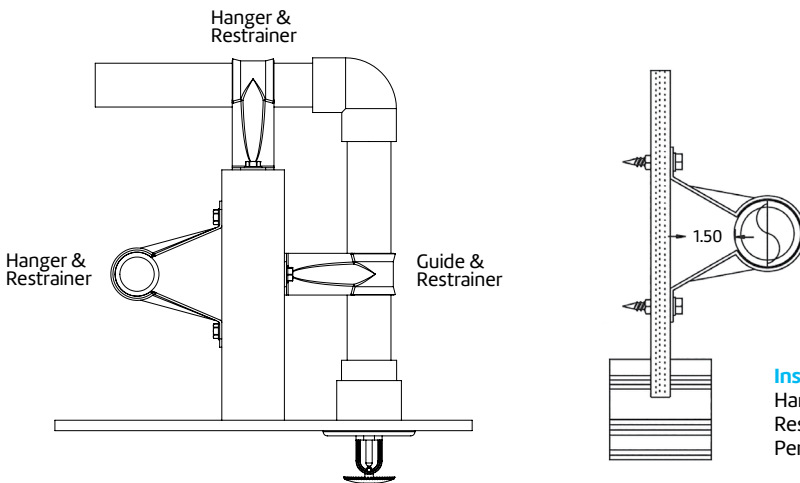
**Installation:**

- Snap hanger over pipe. If needed, squeeze strap back around pipe.
- CPVC pipe must be allowed to slide freely through the Fig. 188R.
- Secure hanger to mounting surface with screws provided or with listed fasteners.

**Features:**

- Beveled edge design helps protect the CPVC pipe from any rough surface and eliminates pipe abrasion.
- Easily attaches to wood structure with #10 x 1" hex washer head self-threading screw supplied with product. No pre-drilling required.
- Bottom of pipe is offset 1/2" from the structure. Eliminates wooden spacer blocks.

**Ordering:** Specify CPVC pipe size, figure number and description.



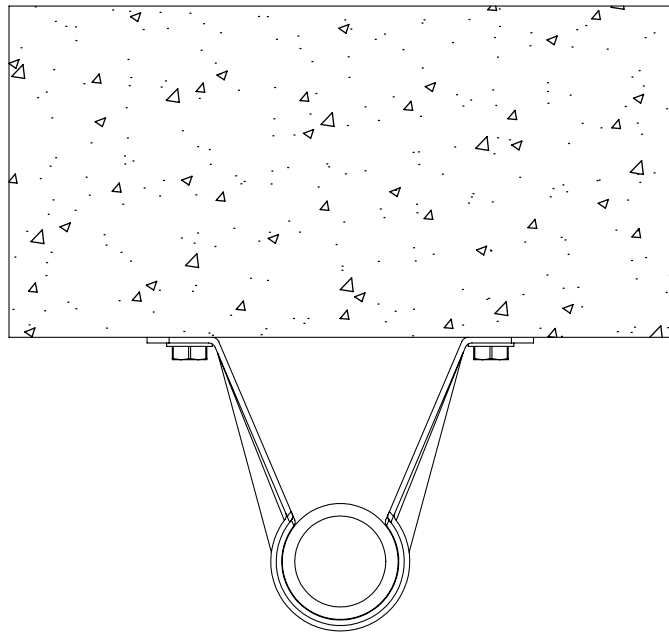
**Installation - Backing Nut**

Hanger = 1 - At top fastener  
Restraint = 2 - On each fastener  
Per NFPA-13D and NFPA-13R



PROJECT INFORMATION	APPROVAL STAMP
Project:	Approved
Address:	Approved as noted
Contractor:	Not approved
Engineer:	Remarks:
Submittal Date:	
Notes 1:	
Notes 2:	

## Two Hole Standoff Hanger and Restrainer (cont.) Fig. 188R (Formerly Afcon Fig. 514)



Hanger and Restrainer

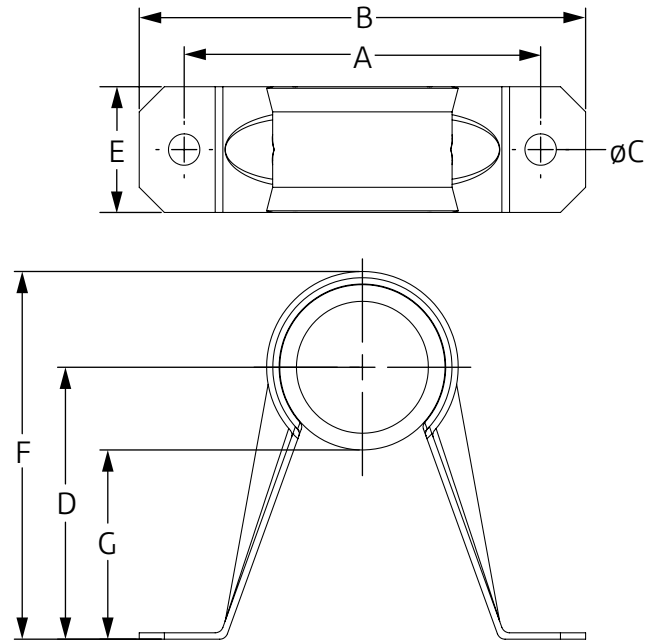


Fig. 188R: Dimensions (in) • Weight (lbs)

CPVC Pipe Size	A	B	∅C	D	E	F	G	Max. Hanger Spacing (ft)	Approx. Weight/100 (lbs)
3/4	2 3/4	3 1/2	1/4	2	1	2 5/8	1 1/2	5 1/2	11
1	2 13/16	3 1/2	1/4	2 3/16	1	2 15/16	1 1/2	6	12
1 1/4	2 13/16	3 1/2	1/4	2 5/16	1	3 1/4	1 1/2	6 1/2	13
1 1/2	3 5/8	4 1/4	1/4	2 7/16	1	3 1/2	1 1/2	7	14
2	3 11/16	4 3/8	1/4	2 11/16	1	4	1 1/2	8	16

Fig. 188R: Listed Fasteners

Pipe	Wood and Composite Beams	Steel (18ga. Minimum)
CPVC	Screw Supplied or #10 x 1" TEK Screw	#14 x 1" TEK Screw or 1/4" x 1" TEK Screw
Steel & Copper	#14 x 1" TEK Screw or 1/4" x 1 1/2" Lag Screw	#14 x 1" TEK Screw or 1/4" x 1" TEK Screw