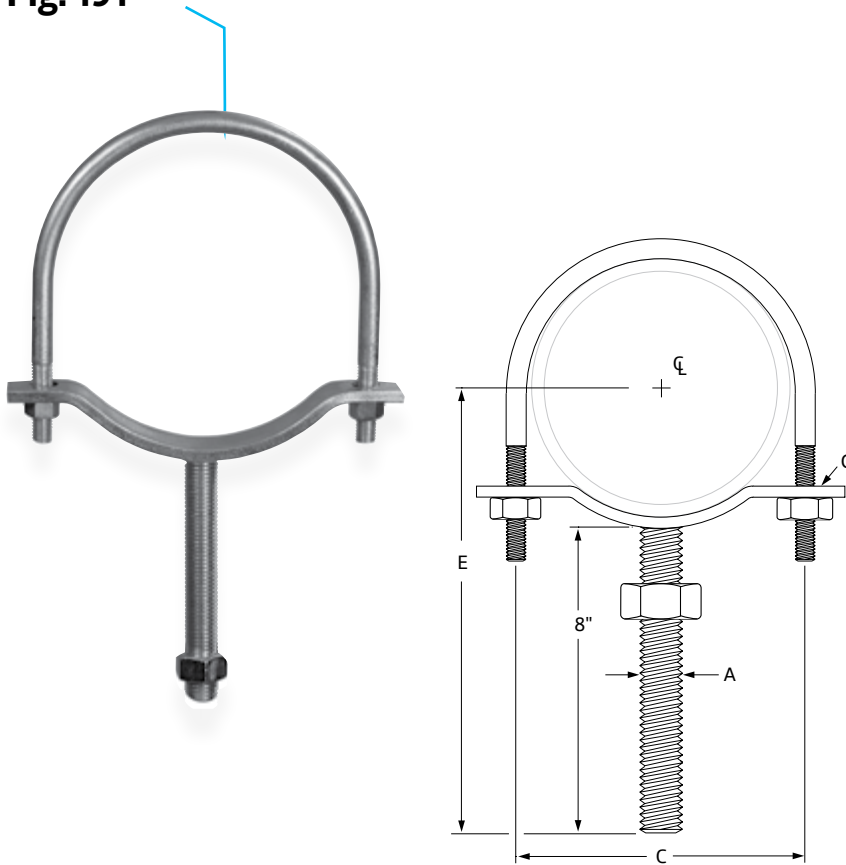


Adjustable Pipe Saddle with U-Bolt Fig. 191



Size Range: 2" through 12"

Material: Carbon steel

Finish: Plain or Zinc Plated
(Hot-Dip Galvanized optional)

Service: Stanchion type support where vertical adjustment is required, plus the additional stability provided by U-bolt attachment to stationary pipe.

Approvals: Complies with Federal Specification A-A-1192A (Type 37), ANSI/MSS SP-69 and MSS SP-58 (Type 37).

Ordering: Specify pipe size, figure number, name and finish.



Fig. 191: Dimensions (in) • Weight (lbs)

Pipe Size	Rod Size A	C	E	G	Weight
2		2 ¹¹ / ₁₆	9 ⁷ / ₁₆		1.2
2½	5/8	3 ⁵ / ₁₆	9 ¹¹ / ₁₆	¼ x 1	1.4
3		3 ¹⁵ / ₁₆	10		1.6
3½		4 ⁷ / ₁₆	10¼		2.6
4	7/8	5¼	10½	¼ x 1¼	3.0
5		6⅞	11		3.2
6	1	7¼	11 ¹¹ / ₁₆	¾ x 1½	4.9
8		9¾	12 ¹¹ / ₁₆		6.2
10		11½	13¾		10.5
12	1¼	13½	14¾	½ x 2	11.8

PROJECT INFORMATION	APPROVAL STAMP
Project:	Approved
Address:	Approved as noted
Contractor:	Not approved
Engineer:	Remarks:
Submittal Date:	
Notes 1:	
Notes 2:	