

## Carbon Steel Ball Valve Fig. 2000BV-RP

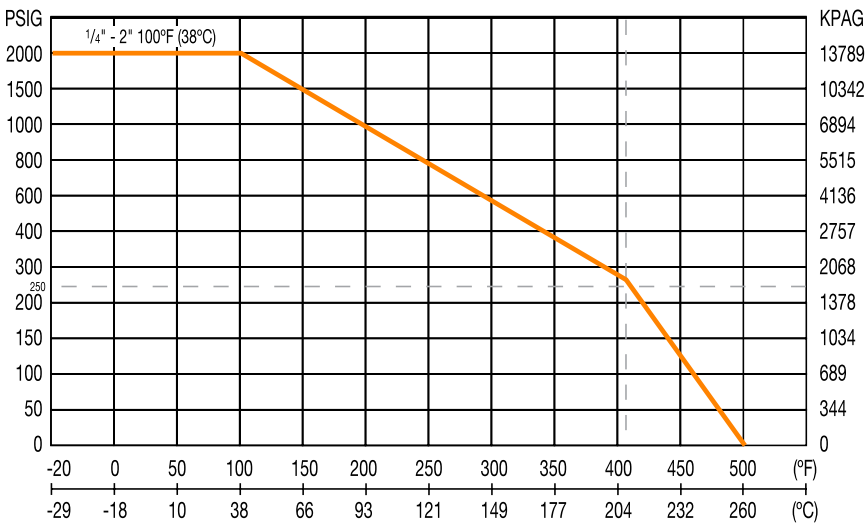


### Material Specifications

- 1. Body**  
ASTM A105
- 2. Cap**  
ASTM A105
- 3. Ball**  
SS304/SS316
- 4. Stem**  
SS304/SS316
- 5. Body Seat**  
RPTFE
- 6. Cap Seat**  
RPTFE
- 7. Packing**  
PTFE
- 8. Handle**  
SS201
- 9. Handle Sleeve**  
PVC
- 10. Thrust Washer**  
PTFE
- 11. Gland**  
SS
- 12. Washer**  
SS
- 13. Handle Nut**  
A2-70

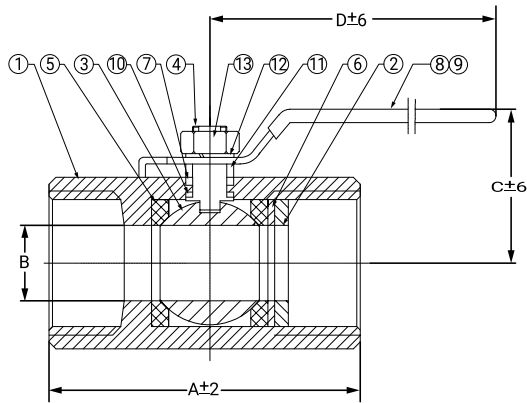
### General Specifications

- Reduced Port
- Working Pressure:  
1/4" - 2" 2000WOG
- 1 Piece Body
- Blow Out Proof Stem
- Threads Conform to  
ASME B1.20.1 (NPT)
- NACE MR0175
- Locking Handle



PROJECT INFORMATION	APPROVAL STAMP
Project:	Approved
Address:	Approved as noted
Contractor:	Not approved
Engineer:	Remarks:
Submittal Date:	
Notes 1:	
Notes 2:	

## Carbon Steel Ball Valve Fig. 2000BV-RP



**Fig. 2000BV-RP Dimensions**

Nominal Size	Pressure	Dimensions				Approx. Wt. Ea.
		A	B	C	D	
In./mm	PSI/bar	In./mm	In./mm	In./mm	In./mm	Lbs./kg
1/4 8	2000 137.9	1 <sup>11</sup> / <sub>16</sub> 43	1 <sup>3</sup> / <sub>64</sub> 5	1 <sup>3</sup> / <sub>32</sub> 28	2 <sup>7</sup> / <sub>8</sub> 73	0.22 0.10
3/8 10	2000 137.9	1 <sup>55</sup> / <sub>64</sub> 47	9/ <sub>32</sub> 7	1 <sup>17</sup> / <sub>64</sub> 32	3 <sup>15</sup> / <sub>64</sub> 82	0.35 0.16
1/2 15	2000 137.9	2 <sup>7</sup> / <sub>16</sub> 62	1 <sup>1</sup> / <sub>32</sub> 9	1 <sup>55</sup> / <sub>64</sub> 47	4 <sup>39</sup> / <sub>64</sub> 117	0.66 0.30
3/4 20	2000 137.9	2 <sup>49</sup> / <sub>64</sub> 70	3 <sup>1</sup> / <sub>64</sub> 12.5	2 <sup>3</sup> / <sub>64</sub> 52	4 <sup>39</sup> / <sub>64</sub> 117	1.10 0.50
1 25	2000 137.9	3 <sup>25</sup> / <sub>64</sub> 86	1 <sup>9</sup> / <sub>32</sub> 15	2 <sup>9</sup> / <sub>16</sub> 65	5 <sup>1</sup> / <sub>8</sub> 130	2.20 1.00
1 1/4 32	2000 137.9	3 <sup>45</sup> / <sub>64</sub> 94	5 <sup>1</sup> / <sub>64</sub> 20	2 <sup>61</sup> / <sub>64</sub> 75	5 <sup>13</sup> / <sub>64</sub> 132	3.24 1.47
1 1/2 40	2000 137.9	4 <sup>1</sup> / <sub>64</sub> 102	6 <sup>3</sup> / <sub>64</sub> 25	3 <sup>5</sup> / <sub>64</sub> 78	6 <sup>3</sup> / <sub>16</sub> 157	3.97 1.80
2 50	2000 137.9	4 <sup>17</sup> / <sub>32</sub> 115	1 <sup>17</sup> / <sub>64</sub> 32	3 <sup>35</sup> / <sub>64</sub> 90	6 <sup>19</sup> / <sub>64</sub> 160	6.61 3.00



asc-es.com

Building connections that last™