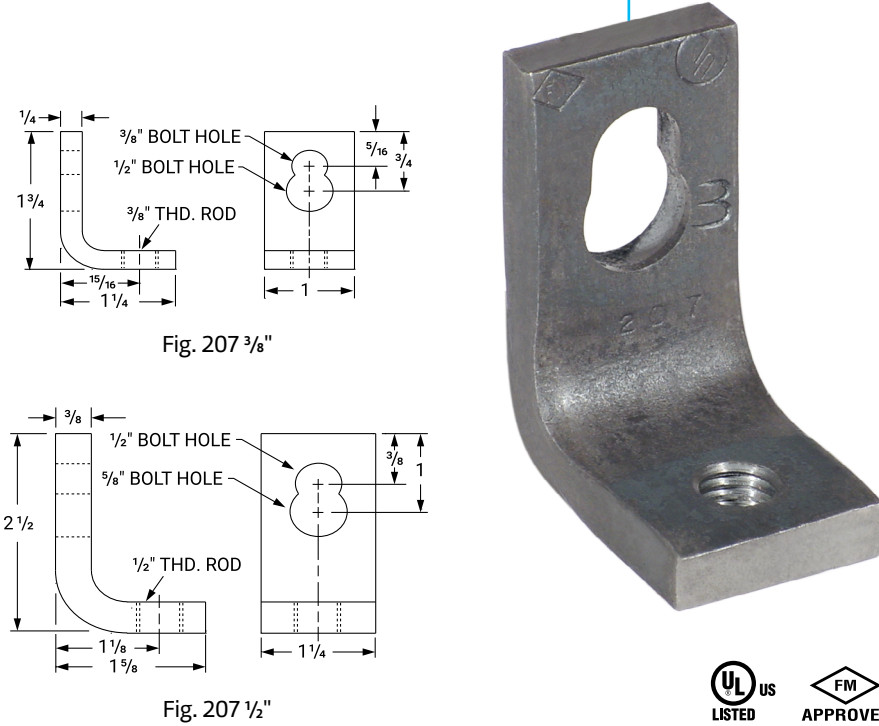


## Threaded Steel Side Beam Bracket Fig. 207 (formerly Afcon Fig. 553/555)



### Material Specifications

**Size Range**  
3/8" through 1/2"

**Material**  
Carbon steel

**Finish**  
Plain  
Zinc Plated

**Service**  
Recommended for attachment to steel or wooden beams, etc.

**Approvals**  
Complies with Federal Specification A-A-1192A (Type 34), WW-H-171-E (Type 35), ANSI/MSS SP-69 and MSS SP-58 (Type 34).  
UL Listed (Sizes 3/8" and 1/2").

**Features**  
Threaded mounting bracket provides an economical, practical, and adjustable means of securing hangers to beams.

**Ordering**  
Specify rod size, figure number, name and finish.

### Dimensions (In) - Load (Lbs) - Weight (Lbs)

Rod Size A	Bolt Size	Max Load		Weight
		With Lag Screw	With Bolt to Steel	
in.	in.	Lbs.	Lbs.	Lbs.
3/8	3/8	400	620	0.17
	1/2	560		
1/2	1/2	650	1,150	0.42
	5/8	850		



PROJECT INFORMATION	APPROVAL STAMP
Project:	Approved
Address:	Approved as noted
Contractor:	Not approved
Engineer:	Remarks:
Submittal Date:	
Notes 1:	
Notes 2:	