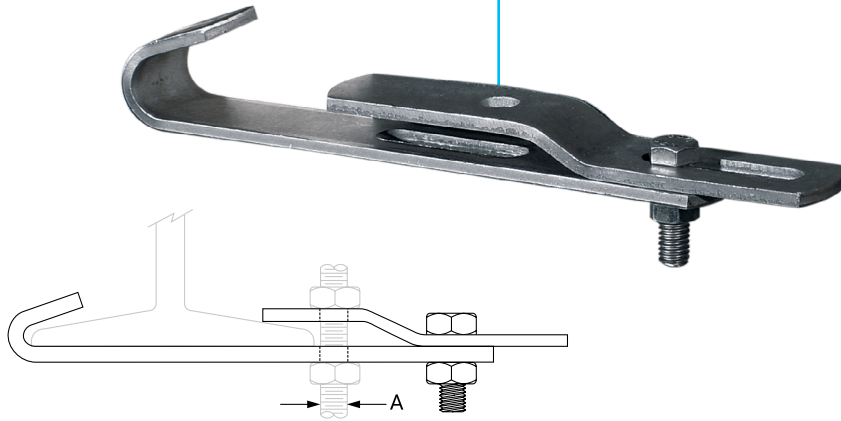


Adjustable Side Beam Clamp Fig. 217



Dimensions (In) - Load (Lbs) - Weight (Lbs)

Size	Max Flange Width	Max Flange Thickness	Rod Size A	Max Load	Weight
In.	In.	In.	In.	Lbs.	Lbs.
Fig. 217 - Type 1					
3	3-4½	½	¾	300	0.80
4⅝	4⅝-6	11/16			1.06
6⅛	6⅛-7½	¾			1.17
7⅝	7⅝-9	15/16			1.28
Fig. 217 - Type 2					
3	3-4½	½	½	500	1.57
4⅝	4⅝-6	11/16			1.84
6⅛	6⅛-7½	¾			2.05
7⅝	7⅝-9	15/16			2.23
Fig. 217 - Type 3					
3	3-4½	½	5/8	700	3.75
4⅝	4⅝-6	11/16			4.19
6⅛	6⅛-7½	¾			4.53
7⅝	7⅝-9	15/16			5.11

Material Specifications

Size Range
3" through 7 5/8"

Material
Carbon steel

Finish
Plain

Service
To be used where it is necessary for the hanger rod to run vertically close to the beams edge, eliminating drilling of holes in structural members.

Components
Top slide, bottom hook, nut and bolt - assembled.

Design
Can be adjusted to fit various beam flange widths and thicknesses.

Approvals
Complies with Federal Specification A-A-1192A (Type 25), ANSI/MSS SP-69 and MSS SP-58 (Type 25).

Ordering
Specify size, figure number, type and name.



PROJECT INFORMATION	APPROVAL STAMP
Project:	Approved
Address:	Approved as noted
Contractor:	Not approved
Engineer:	Remarks:
Submittal Date:	
Notes 1:	
Notes 2:	