

## Pipe Stays

**Fig. 220** Standard Pipe Stays

**Fig. 221** Double Pipe Stays

**Fig. 223** Extended Pipe Stays

**Size Range:** **Fig. 220:** 1/2" C x 3/8" IP through 2" C

**Fig. 221:** 1/2" C x 3/8" IP through 3/4" C x 1/2" IP

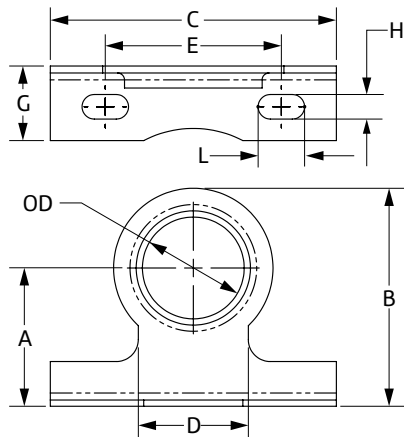
**Fig. 223:** 1/2" C x 3/8" IP through 1 1/4" C x 1" IP

**Material:** Carbon Steel

**Finish:** Epoxy Coated

**Service:** Provides a vertical or horizontal offset guide for Copper Tube and Iron Pipe in plumbing and heating applications.

**Ordering:** Specify pipe size, figure number, name and finish.



**Fig. 220: Dimensions (in) • Weight (lbs)**

Size	A	B	C	D	E	OD	G	H	L	Weight
1/2 C x 3/8 IP	1.13	1.61	2.50	1.00	1.75	0.687	0.77	0.220	0.484	0.07
3/4 C x 1/2 IP	1.19	1.67	2.50	1.00	1.75	0.906	0.77	0.220	0.484	0.08
1 C x 3/4 IP	1.50	2.03	3.25	1.25	2.00	1.156	0.77	0.280	0.528	0.12
1 1/4 C x 1 IP	1.50	2.03	3.25	1.25	2.00	1.406	0.77	0.280	0.528	0.12
1 1/2 C x 1 1/4 IP	2.50	3.03	4.00	1.75	3.00	1.719	0.95	0.303	0.528	0.22
1 1/2 IP	2.63	3.15	4.50	2.19	3.25	1.969	0.95	0.303	0.528	0.25
2 IP	2.69	3.22	4.50	2.19	3.25	2.437	0.95	0.303	0.528	0.26
2 C	2.69	3.22	4.50	2.19	3.25	2.187	0.95	0.303	0.528	0.25

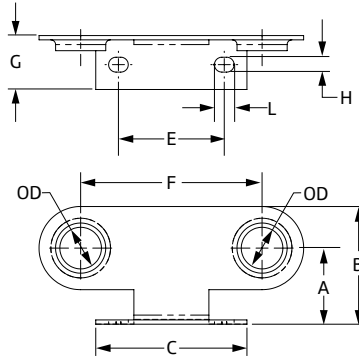
PROJECT INFORMATION	APPROVAL STAMP
Project:	Approved
Address:	Approved as noted
Contractor:	Not approved
Engineer:	Remarks:
Submittal Date:	
Notes 1:	
Notes 2:	

## Pipe Stays (cont.)

**Fig. 220** Standard Pipe Stays

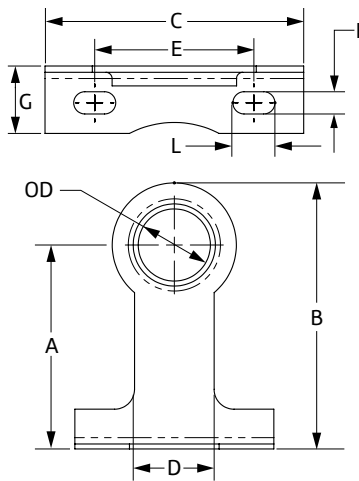
**Fig. 221** Double Pipe Stays

**Fig. 223** Extended Pipe Stays



**Fig. 221: Dimensions (in) • Weight (lbs)**

Size	A	B	C	D	E	OD	G	H	L	Weight
1/2 C x 3/8 IP	2.50	2.83	2.50	1.75	3.00	0.687	0.82	0.246	0.325	0.16
3/4 C x 1/2 IP	2.50	2.83	2.50	1.75	3.00	0.906	0.82	0.246	0.325	0.15



**Fig. 223: Dimensions (in) • Weight (lbs)**

Size	A	B	C	D	E	OD	G	H	L	Weight
1/2 C x 3/8 IP	2.50	2.98	2.50	1.00	1.75	0.687	0.77	0.220	0.484	0.10
3/4 C x 1/2 IP	2.50	2.98	2.50	1.00	1.75	0.906	0.77	0.220	0.484	0.10
1 C x 3/4 IP	2.69	3.22	3.25	1.25	2.00	1.156	0.77	0.280	0.528	0.15
1 1/4 C x 1 IP	2.69	3.22	3.25	1.25	2.00	1.406	0.77	0.280	0.528	0.17