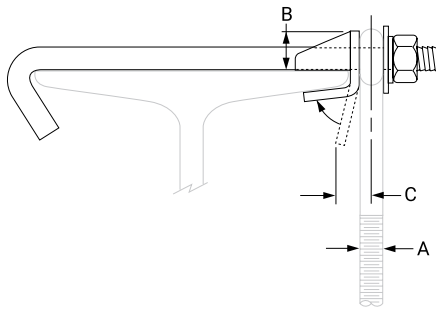
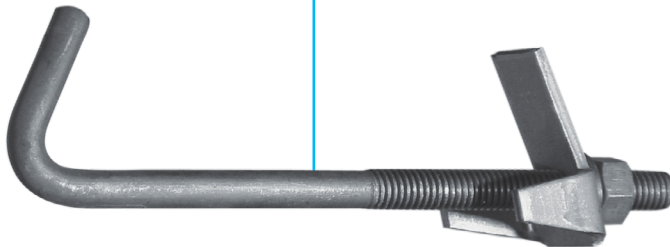


Top Beam Clamp
Fig. 227 (Formerly Afcon Fig. 140)



Material Specifications

Material

Carbon steel jaw, hook rod with nut, lock washer and plain washer.

Finish

Plain

Service

Recommended for use on top flange of beam and roof trusses where the flange thickness does not exceed 0.81".

Approvals

Complies with Federal Specification A-A-1192A (Type 25), ANSI/MSS SP-69 and MSS SP-58 (Type 25).

UL Listed (rod sizes 3/8" & 1/2") and FM Approved when used with 3/8" rod size.

How to size

Determine hook rod length by adding figure in column headed "x" to flange width (see technical data section in the pipe hanger catalog). "x" is not indicated as a dimension on drawing.

Installation

Slide stamped steel jaw over beam flange and attach hook rod and eye rod, finally tightening hook rod. Hammer jaw firmly against the underside of the beam to complete installation.

Features

- Two jaw sizes fit beam flanges thickness from 0.25" to 0.81".
- Clamp firmly holds to beam providing safe and extremely economical means of supporting small piping from the top flange of steel beams and roof trusses.

Ordering

Specify jaw size, figure number, name, hook rod length. Standard hook rods are furnished in even inch lengths, either length ordered or next longer length.

Dimensions (In) - Loads (Lbs) - Weight (Lbs)

Jaw Size	Max Load	Weight ▲	Hook Rod Diameter	Rod Size A	B	C	X
	Lbs.			In.			
1	730	0.38	3/8	3/8	3/4	5/16	2 1/8
				1/2			
2	940	0.67	1/2	5/8	1 1/8	7/16	2 1/2
				3/4			

Note:

▲ Based on 8" hook rod length. Will vary for other hook rod lengths.



PROJECT INFORMATION	APPROVAL STAMP
Project:	Approved
Address:	Approved as noted
Contractor:	Not approved
Engineer:	Remarks:
Submittal Date:	
Notes 1:	
Notes 2:	