

## MJ Hanger Fig. 250



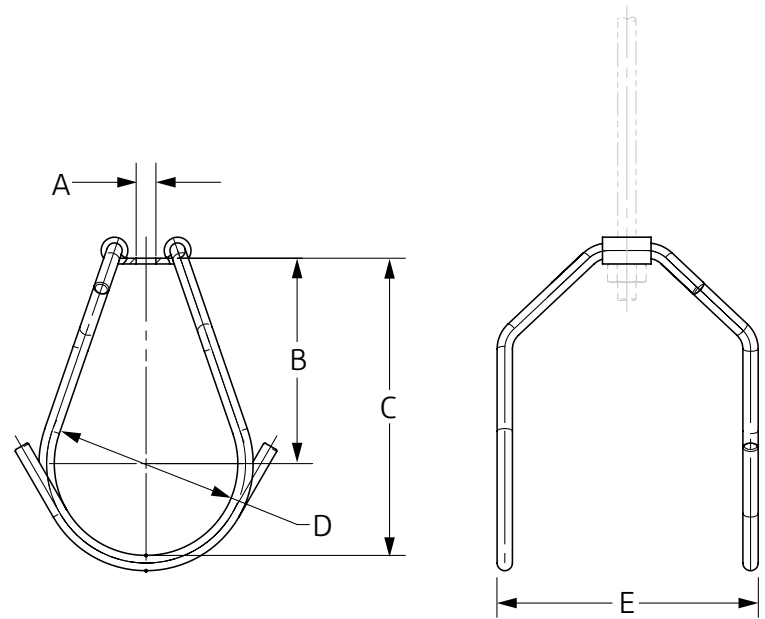
**Size Range:** 2" through 6"

**Material:** Carbon Steel

**Finish:** Plain or Zinc Plated

**Service:** Recommended for the suspension of no hub or service weight cast iron pipe.

**Ordering:** Specify size, figure number, name and finish.



**Fig. 250: Dimensions (in) • Loads (lbs)**

Size	∅A	∅D	B	C	E	Max Load
2	0.406	2.95	1.93	4.88	4.50	200
3	0.406	3.78	2.22	6.00	4.75	200
4	0.406	4.71	1.99	6.70	5.12	200
6	0.488	6.89	4.11	11.00	6.75	200

Available in zinc plated finish (Fig. 250Z).



PROJECT INFORMATION	APPROVAL STAMP
Project:	Approved
Address:	Approved as noted
Contractor:	Not approved
Engineer:	Remarks:
Submittal Date:	
Notes 1:	
Notes 2:	