

Pipe Saddle Support Fig. 258

Size Range: 4" through 36"

Material: Sizes 4" through 12" are Cast Iron. Sizes 14" through 36" are Carbon Steel. Sizes 4" through 12" are available in Carbon Steel by special request only.

Finish: Plain or Hot-Dip Galvanized

Service: Stanchion type support for **stationary** pipe.

Approvals: Complies with Federal Specification A-A-1192A (Type 36), WW-H-171-E (Type 36 & 37), ANSI/MSS SP-69 and MSS SP-58 (Type 36).

Installation: Slip saddle base into riser pipe.

Ordering: Specify size to be supported, figure number, name, finish and material.

Order Separately: Figure 63P Square Cut End Stanchion. Specify "H" and pipe size to be supported by Figure 258.



Fig. 258: Dimensions (in) • Weight (lbs)

Pipe Size	Weight	A	B	Width C	Max Load
4	9.1		4 ³ / ₁₆		
6	11.8		5 ⁷ / ₁₆		
8	14.3		6 ¹⁵ / ₁₆	3 ⁵ / ₈	3,800
10	19.3	3	8 ⁷ / ₁₆		
12	23.1		9 ¹⁵ / ₁₆		
14	15.0		10 ¹ / ₂	4	5,300
16	16.0		11 ¹ / ₂		
18	23.0		13 ¹ / ₂		6,700
20	24.0		14 ¹ / ₂		
22	26.0		15 ¹ / ₂		
24	30.0	4	17 ¹ / ₂	5	7,300
26	32.0		18 ¹ / ₂		
30	41.0		20 ⁵ / ₈		
32	42.0		21 ⁵ / ₈		
36	46.0		23 ⁵ / ₈	8 ³ / ₄	

*Standard Wall Pipe.
The above load ratings are applicable to the saddle only and are not applicable to the stanchion or other means used to support the saddle.

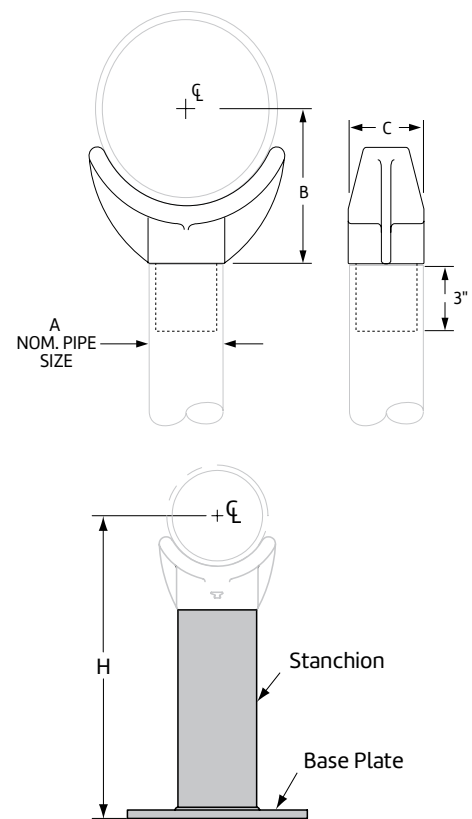


Fig. 63, Type P
Square Cut End for use with
Figure 258 or 259 Pipe
Saddle Support

PROJECT INFORMATION	APPROVAL STAMP
Project:	Approved
Address:	Approved as noted
Contractor:	Not approved
Engineer:	Remarks:
Submittal Date:	
Notes 1:	
Notes 2:	