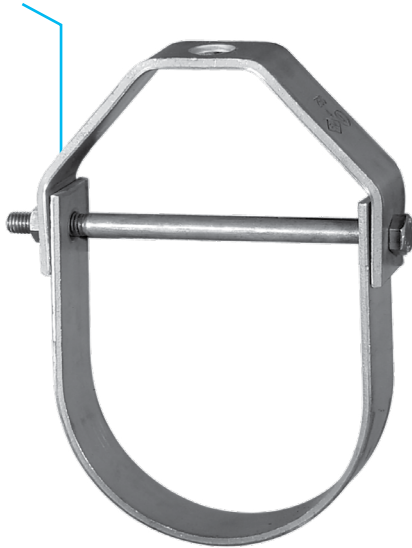


Reduced Hanger Rod Clevis Hanger Fig. 260R



Features:

- Design has yoke on outside of lower U-strap so yoke cannot slide toward center of bolt, thus bending of bolt is minimized.
- Sizes 5" and up have rod and two nuts instead of bolt and nut; thread length on clevis rod is such that the thread locks the nuts in place, and threads are not in shear plane.
- Hanger rod hole size conforms to NFPA rod schedule for fire sprinkler systems and allows use of correct rod size when supporting insulated pipe for mechanical and plumbing piping systems.

Notes:

Punched forming holes may be present on certain sizes of this clevis hanger. These holes are solely for the purpose of manufacturing, and do not affect the structural integrity or load carrying capacities of these hangers.

For insulated line options with shields, see Figures 167 and 168.

Caution: When an oversize clevis is used, a pipe spacer or multispace should be placed over clevis bolt to ensure that the lower U-strap will not move in on the bolt.

Caution: Reduced rod size clevis hanger is designed to be used when supporting insulated pipe in accordance with MSS SP-58. Rod diameter should meet the requirements for supporting the pipe diameter and water filled weight. When supporting sprinkler pipe rod diameter should meet requirements of NFPA 13.

Material Specifications

Size Range
2 1/2" to 16"

Material
Carbon steel

Finish
Plain
Zinc Plated – 8" & Smaller
Hot Dip Galvanized with Zinc
Plated Bolts and Nuts – 10" and Larger

Service
Recommended for the suspension of stationary pipe lines.

Temperature
Plain 650°F, Galvanized 400°F

Approvals
Complies with MSS SP-58 (Type 1).
FM Approved (Sizes 2 1/2" through 8"),
UL and ULC Listed (Sizes 2 1/2" through 8")

Installation
Hanger load nut above clevis must be tightened securely to assure proper hanger performance.

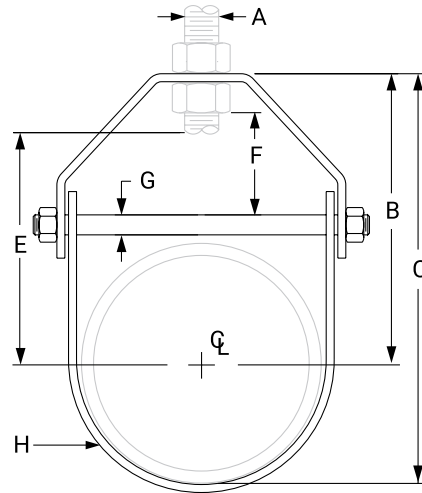
Adjustment
Vertical adjustment without removing pipe may be made from 3/8" through 2 3/4", and it varies with the size of clevis. Tighten upper nut after adjustment.

Ordering
Specify size, figure number, name and finish.



PROJECT INFORMATION	APPROVAL STAMP
Project:	Approved
Address:	Approved as noted
Contractor:	Not approved
Engineer:	Remarks:
Submittal Date:	
Notes 1:	
Notes 2:	

Reduced Hanger Rod Clevis Hanger Fig. 260R



Dimensions (In) • Load Ratings (Lbf) • Weights (Lbs)

Pipe Size	Max Load	Rod Size A	B	C	Rod Take Out E	Adjust. F	G	Width H	Weight
2½	730	¾	4 ¹ / ₁₆	5½	3 ³ / ₁₆	1 ⁵ / ₁₆	¾	1	0.65
3			4 ³ / ₄	6½	4 ¹ / ₁₆	1 ⁵ / ₈		1	0.85
4			5 ⁹ / ₁₆	7 ¹³ / ₁₆	4½	1 ¹¹ / ₁₆		1¼	1.51
5			6 ⁹ / ₁₆	8 ¹⁵ / ₁₆	5½	1 ¹⁵ / ₁₆		1 ³ / ₁₆	1.70
6	1,350	½	6 ¹⁵ / ₁₆	10¼	5¾	1 ¹¹ / ₁₆	½	1 ⁷ / ₁₆	3.10
8			8 ³ / ₈	12 ¹¹ / ₁₆	7 ³ / ₁₆	2		4.75	
10			9 ⁷ / ₈	15¼	8 ⁷ / ₁₆	2 ¹ / ₈		1¾	8.60
12	2,160	5/8	11 ⁹ / ₁₆	17 ¹⁵ / ₁₆	10 ¹ / ₈	2 ¹³ / ₁₆	5/8	2	11.20
14			12 ⁹ / ₁₆	19 ⁹ / ₁₆	10 ⁷ / ₈	2 ¹¹ / ₁₆		2	12.50
16	3,230	¾	14	22	12	2¾	¾	2½	19.85



asc-es.com

Building connections that last™