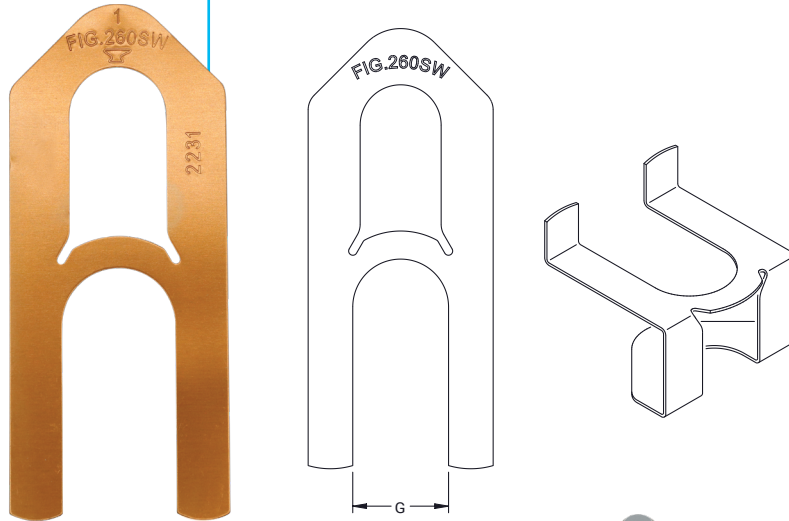
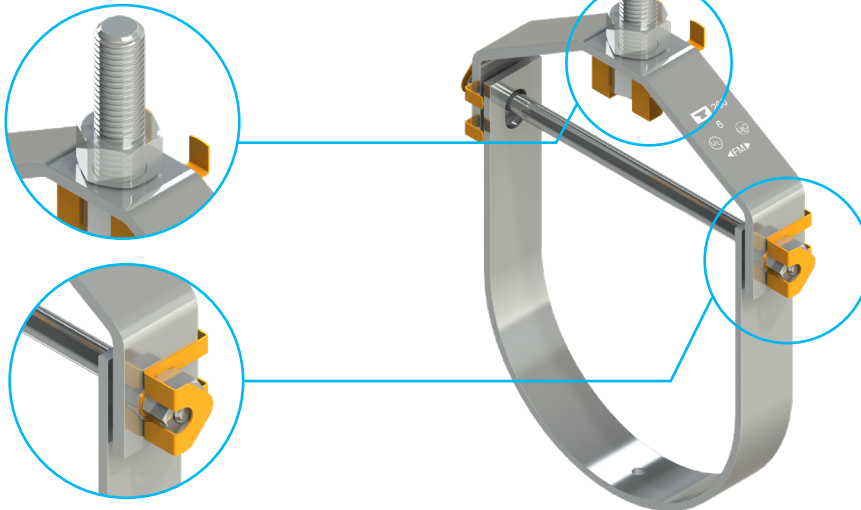


Clevis Hanger Anti-Vibration Safety Washer Fig. 260SW



Patent: 2021-0080032



Caution Figure 260SW is intended as a single-use product. It is recommended to install and remove by bending no more than three times, to avoid potential weakening of material. If retrofitting to a clevis hanger under load, do not completely remove any hex nuts on the cross bolt or hanger rod. Fig. 260SW can be installed with minimal threads exposed (See installation instructions for more detail).

Material Specifications

Size Range

1/4" through 1" - (fits 1/2" through 30" Fig. 260 Clevis Hangers, 1" size will fit both 1" and 1 1/4" rod diameter)

Material

Aluminum

Finish

Anodized (Safety Orange)

Service

To prevent failure of clevis hanger hardware due to structural vibration causing failure of threaded connections.

Maximum Temperature

650° F

Installation

- Install on cross bolt hardware and hanger rod hardware to prevent unthreading (unfastening) of assembly due to structural vibrations.

Features

- Aluminum construction for easy installation by bending by hand to lock in place
- Safety Orange Color for easy visibility for inspection from the ground
- Can easily be removed and replaced for system maintenance
- Sizes available to fit all clevis hanger hardware and hanger rod up to 30" pipe size clevis hangers

Ordering

Specify Fig. Number and rod size

Notes

- The Fig 260SW was designed to work with Anvil® brand clevis hangers. They can be used on other brands; however, verification of dimensions and fit is recommended
- Can be used in clevis hangers with insulation shields or pre-insulated inserts
- Can be used with felt lined or plastic-coated clevis hangers



PROJECT INFORMATION	APPROVAL STAMP
Project:	Approved
Address:	Approved as noted
Contractor:	Not approved
Engineer:	Remarks:
Submittal Date:	
Notes 1:	
Notes 2:	

Clevis Hanger Anti-Vibration Safety Washer Fig. 260SW

260SW	Fig. 260 Pipe Size	Rod Size "G"
1/4	1/2	1/4
	3/4	
	1	
	1 1/4	
	1 1/2	
3/8	2	3/8
	2 1/2	
	3	
	3 1/2	
	4	
1/2	5	1/2
	6	
	8	
5/8	10	5/8
	12	
3/4	14	3/4
	16	
	18	
	20	
1	24	7/8



asc-es.com

Building connections that last™