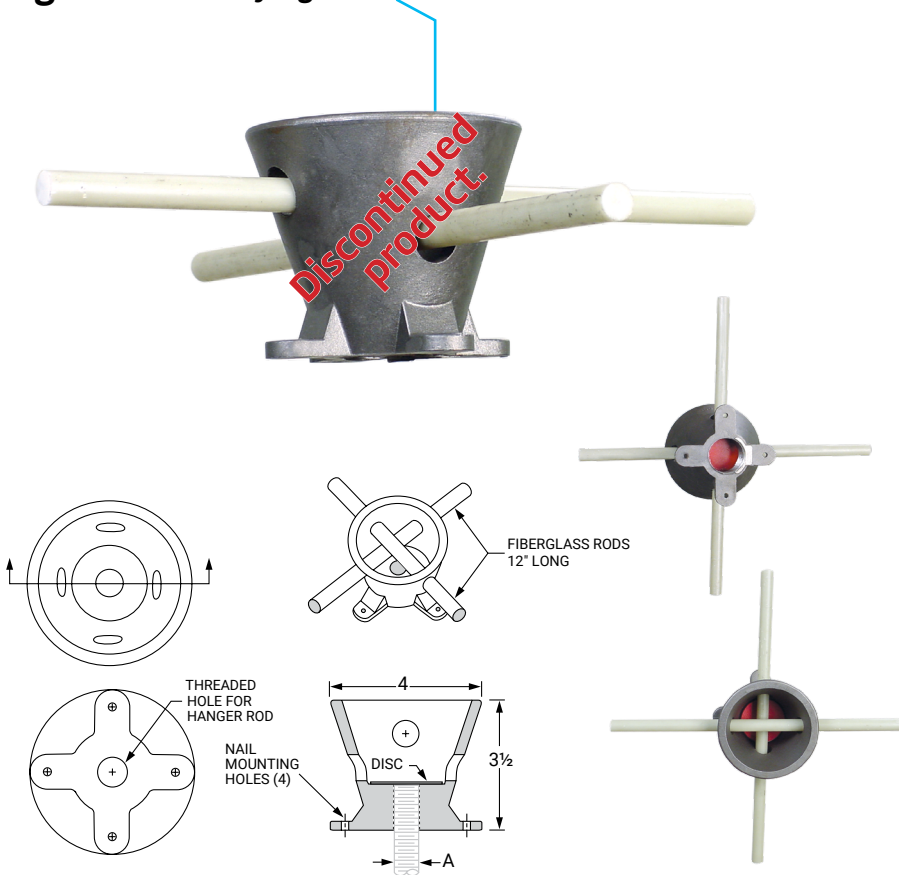


Iron Cross

Fig. 286 (Formerly Fig. 283)



Material Specifications

Size Range
3/4" through 1 1/2"

Material
Stainless steel body, fiberglass bars, polypropylene disc

Service
Upper attachment for suspending pipe or equipment from concrete ceiling.

Approvals
Complies with Federal Specification A-A-1192A (Type 18), WW-H-171-E (Type 18), ANSI/MSS SP-69 and MSS SP-58 (Type 18).

- Installation**
1. Nail insert to wooden forms.
 2. Locate fiberglass bars to rest upon existing reinforcing rods or wire the insert directly into existing reinforced rods to achieve the specified load ratings.

- Features**
- Stainless steel body prevents corrosion.
 - Cone shaped body.
 - Exceptional pullout strength.
 - Eliminates uncertainty of tying conventional inserts into bridge deck rebars.

Ordering
Specify figure number, name and rod size.

Rod Size A	Max Load ■	Rod Size A	Max Load ■
in.	Lbs.	in.	Lbs.
3/4	3,230	1 1/4	9,500
7/8	4,480	1 1/2	13,800
1	5,900		

Note:
■ Based on the rod diameter only. Rating is subject to the conditions that the concrete used is of sufficient strength to hold the insert.



PROJECT INFORMATION	APPROVAL STAMP
Project:	Approved
Address:	Approved as noted
Contractor:	Not approved
Engineer:	Remarks:
Submittal Date:	
Notes 1:	
Notes 2:	