

Universal Forged Steel (UFS) Beam Clamp with and without Weldless Eye Nut

Fig. 292 Right-Hand Thread
Fig. 292L Left-Hand Thread

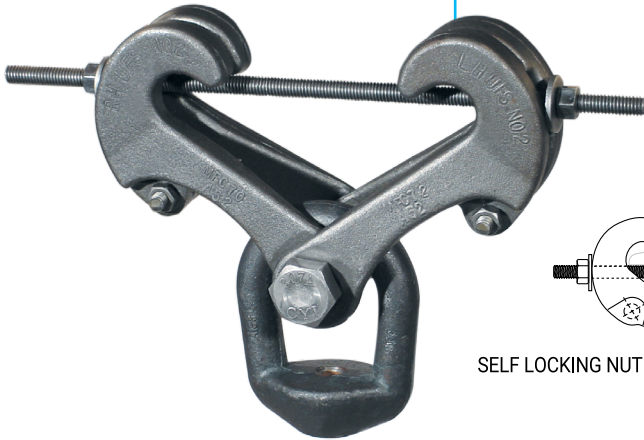


Fig. 292 with Weldless Eye Nut

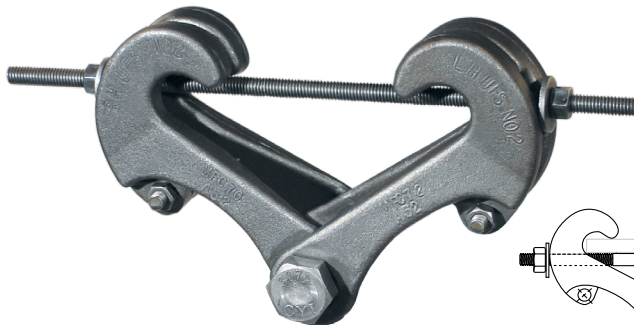
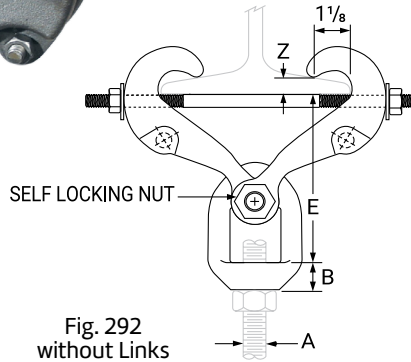
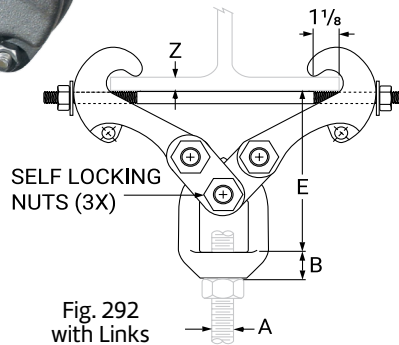


Fig. 292 without Weldless Eye Nut



Material Specifications

Material

Forged steel

Finish

- Plain
- Zinc Plated

Service

For suspension of heavy loads from beams with flange widths to 15" and flange thickness to 1.031.

Approvals

Complies with Federal Specification A-A-1192A (Type 28 without links; Type 29 with links), WW-H-171-E (Type 28 without links; Type 29 with links), ANSI/MSS SP-69 and MSS SP-58 (Type 28 without links; Type 29 with links).

Installation

Fit jaws over edges of lower beam flange and tighten nuts on tie rod to lock clamp in place.

Features

- Weldless eye nut provides for horizontal pipe movement without binding.
- Weldless eye nut is furnished tapped to any specified rod size up to the maximum rod size.
- Tie rod assures a tight non-slip fit to the beam.
- Self locking nut with a nylon insert prevents the nut from working loose.

Ordering

Specify clamp size, figure number, name, rod size and finish.

Note

The application of a load to a structural beam by means of a beam clamp produces a transverse stress, perpendicular to the axis of the beam, in the flange to which the load is applied.



PROJECT INFORMATION	APPROVAL STAMP
Project:	Approved
Address:	Approved as noted
Contractor:	Not approved
Engineer:	Remarks:
Submittal Date:	
Notes 1:	
Notes 2:	

Universal Forged Steel (UFS) Beam Clamp with and without Weldless Eye Nut Fig. 292, 292L

Dimensions (In) - Load (Lbs) - Weight (Lbs)

Clamp Size No.	Max Rod Size A	Max Load ■	Weight	Z Max ❖	B	Jaw and Eye Nut Size ▲
	In.	Lbs.	Lbs.	In.	In.	In.
1	3/4	3,230	3.9	0.60	11/16	292 - 1 / 1
2			9.2			
3 •			13.0			
4	1	5,900	21.7	1.031	1	292 - 3 / 2
5 •			33.9			
6			23.9			
7 •	1 1/2	11,500	35.8	2 1/4	292 - 3 / 3	292 - 3 / 4
8	2		36.8			

Note:

▲ For reference only, order by clamp size.

• Furnished with links.

■ Note: Load capacity based on rod sizes shown. For load capacity of other rod sizes, see technical data section of the pipe hanger catalog.

❖ For actual "Z" dimensions, see technical data section of the pipe hanger catalog.

Clamp Size No.	Width of Beam Flange (In)												
	3	4	5	6	7	8	9	10	11	12	13	14	15
	Rod Take Out - E (In)												
	In.	In.	In.	In.	In.	In.	In.	In.	In.	In.	In.	In.	In.
1	4 1/2	4 5/16	4 1/16	3 5/8	2 7/8	—	—	—	—	—	—	—	—
2	—	4 3/4	4 7/16	4 1/16	3 3/8	—	—	—	—	—	—	—	—
3 •	—	—	—	—	5 15/16	6	5 5/16	5	—	—	—	—	—
4	—	6 13/16	6 5/8	6 3/8	5 7/8	5 7/8	5 3/8	4 13/16	—	—	—	—	—
5 •	—	—	—	—	—	—	—	—	8 1/8	7 3/4	7 1/8	6 5/8	6 1/16
6	—	7 3/16	7	6 3/4	6 1/4	6 5/16	5 13/16	5 3/16	—	—	—	—	—
7 •	—	—	—	—	—	—	—	—	8 1/2	8 1/8	7 1/2	7	6 7/16
8	—	8 5/8	8 7/16	8 3/16	7 3/4	7 3/4	7 1/4	6 5/8	—	—	—	—	—



asc-es.com

Building connections that last™