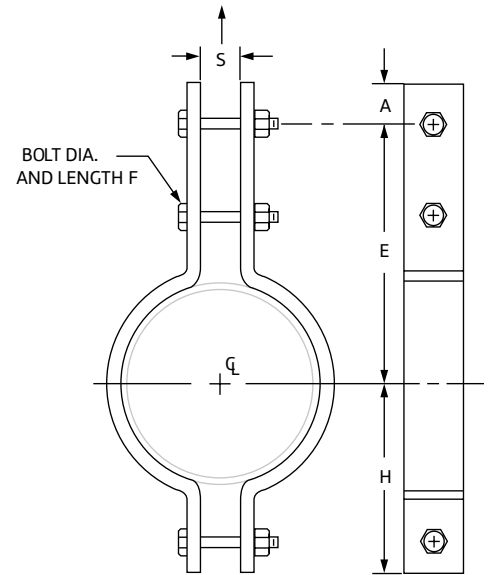


Non-Standard Three Bolt Pipe Clamp Fig. 41SD

Fig. 41SD Non-Standard Three Bolt Pipe Clamp

Ordering: Specify Fig. 41SD double bolt pipe clamp, material specification, pipe size, load, operating temperature, insulation thickness and finish.

Alloy clamps, unless otherwise specified, will be furnished with alloy studs made from ASTM A 193-B7 stud stock and ASTM A 194-Gr. 2H hex nuts.



PROJECT INFORMATION	APPROVAL STAMP
Project:	Approved
Address:	Approved as noted
Contractor:	Not approved
Engineer:	Remarks:
Submittal Date:	
Notes 1:	
Notes 2:	