

Fig. 42SD Non-Standard Two Bolt Pipe Clamp Fig. 53SD Welding Lug for L.R. Elbow

Fig. 42SD Non-Standard Two Bolt Pipe Clamp

Ordering: Specify Fig. 42SD pipe clamp, material specification, pipe size, load, temperature and finish.

Alloy clamps, unless otherwise specified, will be furnished with alloy studs made from ASTM A 193-B7 stud stock and ASTM A 194-Gr. 2H hex nuts.

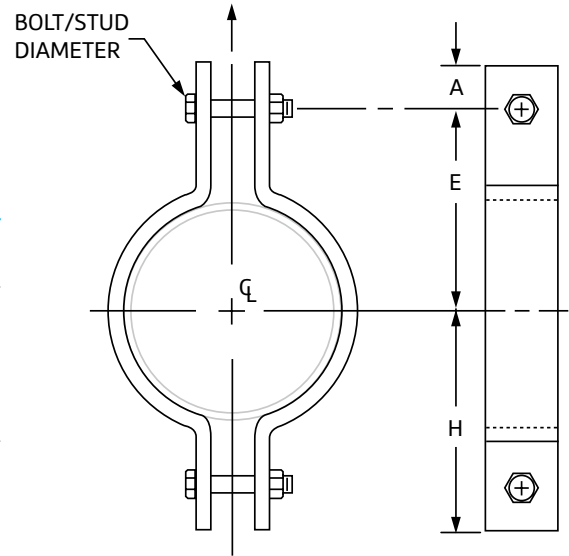


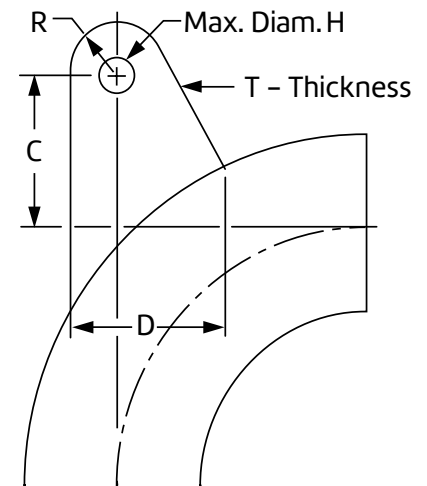
Fig. 53SD Welding Lug for L.R. Elbow

This product is a special design per customer requirements. Contact ASC Engineering Solutions™ for further information and how to order sizes not shown. Local pipe wall stress should be evaluated.

53SD Dimensions (in)

Pipe Size	Rod Size A	C Rod Take Out	T	D	R	H Max. Dia.
in	in	in	in	in	in	in
2½	¾	7 ⁵ / ₁₆				1 ⁵ / ₁₆
3		7 ⁷ / ₁₆				
3½	7/8	7½	½	3½	1½	1 ¹ / ₁₆
4						
6		7 ⁹ / ₁₆				
8	1	7 ⁷ / ₁₆		5	2	1 ³ / ₈
10	1¼	7 ⁵ / ₁₆	5/8	6	2½	1½
12	1½	7 ⁷ / ₈	¾	7	3	1¾

*Based on maximum 4" insulation.



PROJECT INFORMATION	APPROVAL STAMP
Project:	Approved
Address:	Approved as noted
Contractor:	Not approved
Engineer:	Remarks:
Submittal Date:	
Notes 1:	
Notes 2:	