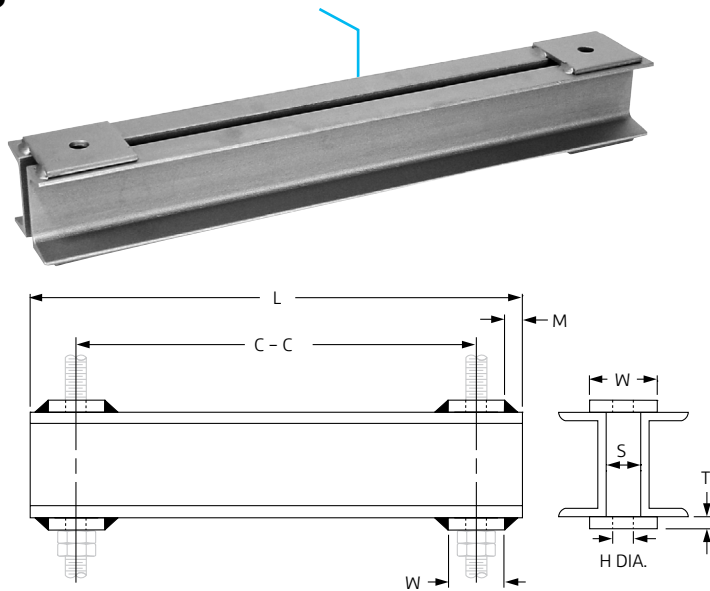


Channel Assembly Fig. 45



Material: Carbon steel

Finish: Plain or Hot-Dip Galvanized

Ordering: Fig. 45 channel assembly; channel size, rod size, name, finish and C to C.

Note: That $L = (C \text{ to } C) + 2M + W$.

Note: Can also be used with a U-bolt Fig. 137 & Fig. 60 washer plates to secure pipe to the center of channel assembly.

Fig. 45: Dimensions (in)

Rod Dia.	3/8	1/2	5/8	3/4	7/8	1	1 1/4	1 1/2	1 3/4	2	2 1/4	2 1/2	2 3/4	3	3 1/4	3 1/2
H Hole	1/2	5/8	3/4	7/8	1	1 1/4	1 1/2	1 3/4	2	2 1/4	2 1/2	2 3/4	3	3 1/4	3 1/2	3 3/4
S	9/16	11/16	13/16	15/16	1 1/16	1 3/8	1 5/8	1 7/8	2 1/4	2 1/2	2 3/4	3	3 1/4	3 1/2	3 3/4	4
W	3	3	3	4	4	4	5	5	5	5	6	6	6	6	6	7
T	1/4	1/4	3/8	3/8	1/2	1/2	1/2	3/4	3/4	3/4	3/4	3/4	3/4	3/4	3/4	3/4
M	3/8	3/8	3/8	3/8	3/8	3/8	3/8	3/8	3/8	3/8	3/8	3/8	3/8	1/2	1/2	1/2

Fig. 45: Weights (lbs) • Loads (lbs) • C to C = Span (in)

Size	Wt./Ft. 2C's	12	14	16	18	20	22	24	26	28	30	36	42	48	54	60
Maximum Load (lbs); Based on C to C Dimensions at Max Temperature of 250° F																
3	8.2	8,800	7,500	6,600	5,800	5,200	4,800	4,400	3,900	3,600	3,500	2,900	2,500	2,200	1,900	1,700
4	10.8	15,200	13,100	11,400	10,200	9,100	8,300	7,500	7,000	6,500	6,100	5,100	4,300	3,800	3,300	3,000
5	13.4	-	-	-	16,000	14,400	13,100	12,000	11,100	10,300	9,600	8,000	6,800	6,000	5,300	4,800
6	21.0	-	-	-	26,600	24,000	21,800	20,000	18,400	17,100	16,000	13,300	11,400	10,000	8,800	8,000
8	23.0	-	-	-	-	-	-	32,300	29,800	27,700	25,800	21,500	18,500	16,100	14,300	12,900
10	30.6	-	-	-	-	-	-	53,500	49,400	45,800	42,800	35,700	30,600	26,700	23,800	21,400
12	41.4	-	-	-	-	-	-	-	-	-	-	57,000	48,900	42,800	38,000	34,200
15	67.8	-	-	-	-	-	-	-	-	-	-	111,000	95,300	83,400	74,100	66,700

PROJECT INFORMATION	APPROVAL STAMP
Project:	Approved
Address:	Approved as noted
Contractor:	Not approved
Engineer:	Remarks:
Submittal Date:	
Notes 1:	
Notes 2:	