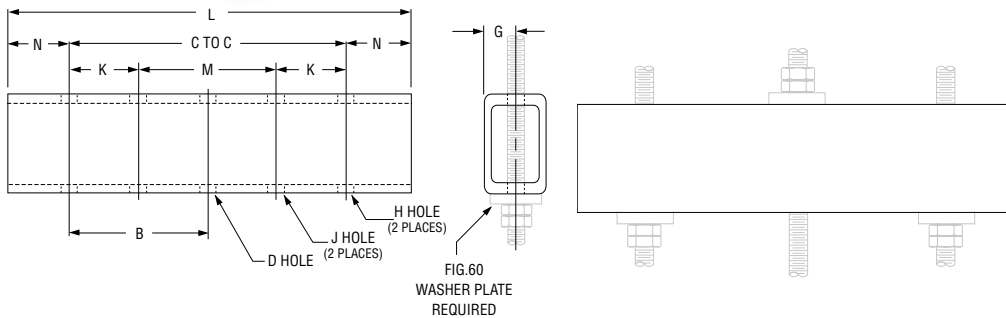
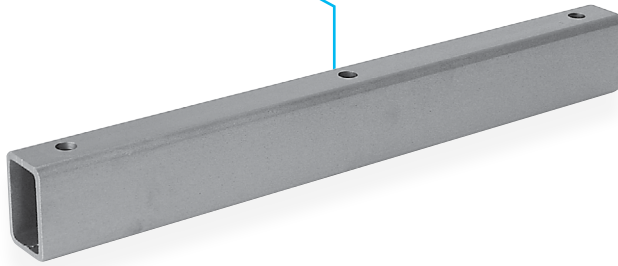


## Universal Trapeze Assembly Fig. 46



**Material:** Carbon steel

**Finish:**

Plain or Hot-Dip Galvanized

**Service:** Trapeze assembly is to be suspended by two rods with Fig. 60 washer plates and is designed for top loading exclusively.

**Ordering:** Specify size number, figure number, name, finish, C to C dimension and hole size "H". If holes "J" or hole "D" are required, also specify hole size and dimensions "K" and "M" or "B".

**Note:** Larger C to C dimensions are available upon request.

**Fig. 46: Dimensions (in) • Weight (lbs)**

Size	Size Tubing	Weight	Max Hole Dia. H, J, D	G	N	C to C = Span (in)														
						12	14	16	18	20	22	24	26	28	30	36	42	48	54	60
1	1/4 x 2 x 2	5.40	1 1/8	1	1 1/2	15	17	19	21	23	25	27	29	31	33	39	-	-	-	-
2	1/4 x 3 x 2	7.10	1 1/8	1	1 1/2	15	17	19	21	23	25	27	29	31	33	39	-	-	-	-
3	3/16 x 4 x 3	8.14	1 5/8	1 1/2	2 1/2	-	-	-	23	25	27	29	31	33	35	41	47	53	59	65
4	1/4 x 4 x 4	12.00	1 7/8	2	2 5/8	-	-	-	23 3/4	25 1/4	27 1/4	29 1/4	31 1/4	33 1/4	35 1/4	41 1/4	47 1/4	53 1/4	59 1/4	65 1/4
5	1/4 x 6 x 4	15.42	2 3/8	2	3 3/8	-	-	-	-	-	-	30 3/4	32 3/4	34 3/4	36 3/4	42 3/4	48 3/4	54 3/4	60 3/4	66 3/4
6	1/4 x 8 x 4	18.80	2 7/8	4	4	-	-	-	-	-	-	32	34	36	38	44	50	56	62	68

**Fig. 46: Maximum Load (lbs); Based on C to C Dimensions at Max Temperature of 250° F**

Size	12	14	16	18	20	22	24	26	28	30	36	42	48	54	60
1	2,600	2,300	1,900	1,700	1,500	1,400	1,300	1,200	1,100	1,000	8,800	-	-	-	-
2	6,700	5,700	5,000	4,500	4,000	3,600	3,300	3,100	2,800	2,700	2,200	-	-	-	-
3	-	-	-	5,800	5,200	4,800	4,400	3,900	3,600	3,500	2,900	2,500	2,200	1,900	1,700
4	-	-	-	10,200	9,100	8,300	7,500	7,000	6,500	6,100	5,100	4,300	3,800	3,300	3,000
5	-	-	-	-	-	-	12,000	11,100	10,300	9,600	8,000	6,800	6,000	5,300	4,800
6	-	-	-	-	-	-	20,000	18,400	17,100	16,000	13,300	11,400	10,000	8,800	8,000

PROJECT INFORMATION	APPROVAL STAMP
Project:	Approved
Address:	Approved as noted
Contractor:	Not approved
Engineer:	Remarks:
Submittal Date:	
Notes 1:	
Notes 2:	