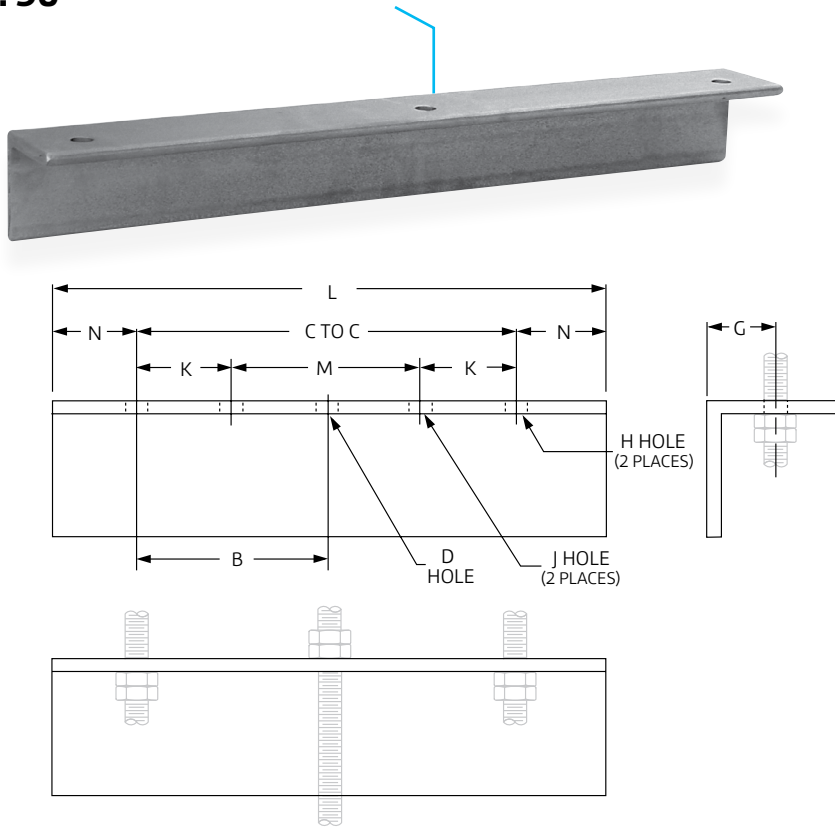


## Equal Leg Angle for Trapeze Assembly Fig. 50



**Material:** Carbon steel

**Finish:** Plain or Hot-Dip Galvanized

**Ordering:**

**If two holes "H" are required:**

Specify Fig. 50 angle (nominal size, C to C, H, total weight and load).

**If two holes "H" and hole "D" are required:**

Specify Fig. 50 angle (nominal size, B, C to C, D, H, total weight and load).

**If two holes "H" and two holes "J" are required:**

Specify Fig. 50 angle (nominal size, C to C, H, J, K, M, total weight and load).

**Fig. 50: Dimensions (in) • Load (lbs) • Weight (lbs)**

Size	Weight Per/Ft	G	N	Max Rod Size H	C to C = Span in Inches										
					8	10	12	14	16	18	20	22	24	28	30
<b>Maximum Load; Based on C to C Dimensions at Max Temperature of 250°F</b>															
1½ x ¼	2.34	7/8	1¼	½	780	624	520	446	390	346	312	284	260	223	208
2 x ¼	3.19	1⅛	1½	5/8	1,500	1,200	1,000	856	750	667	600	545	500	428	400
2 x 3/8	4.70			¾	2,100	1,680	1,400	1,200	1,050	933	840	763	700	600	560
2½ x 3/8	5.90	1⅜	1¾	1	3,420	2,736	2,280	1,954	1,710	1,520	1,368	1,244	1,140	977	912
3 x 3/8	7.20	1¾		1¼	4,980	3,984	3,320	2,846	2,490	2,130	1,992	1,810	1,660	1,423	1,328
3 x ½	9.40	2½	2	2	6,600	5,280	4,400	3,772	3,300	2,933	2,640	2,400	2,200	1,886	1,760
4 x ½	12.80				12,000	9,600	8,000	6,858	6,000	5,333	4,800	4,364	4,000	3,429	3,200

PROJECT INFORMATION	APPROVAL STAMP
Project:	Approved
Address:	Approved as noted
Contractor:	Not approved
Engineer:	Remarks:
Submittal Date:	
Notes 1:	
Notes 2:	