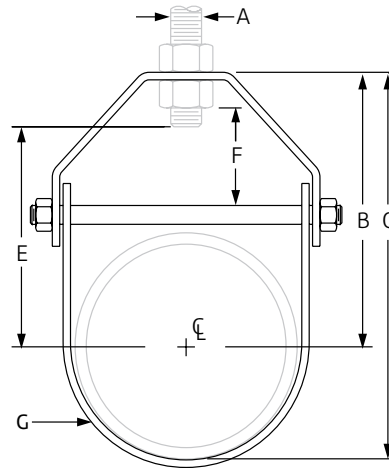
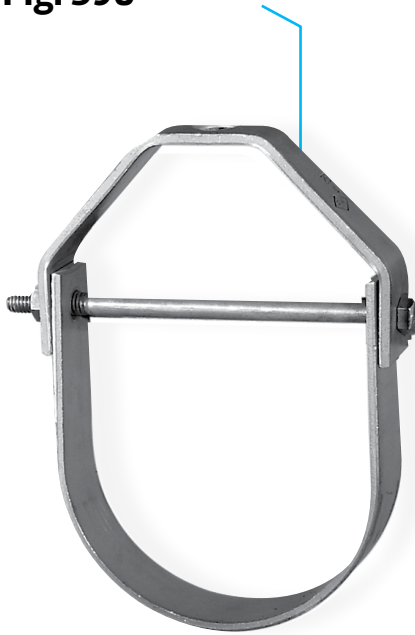


Adjustable Clevis for Ductile or Cast Iron Pipe Fig. 590



Size Range:

3" through 24" ductile or cast iron pipe

Material: Carbon Steel

Finish: Plain or Hot-Dip Galvanized with Zinc Plated Bolts & Nuts

Service: Recommended for the suspension of stationary ductile iron or cast iron pipe.

Maximum Temperature: Plain 650° F, Galvanized 450° F

Approvals: Complies with Federal Specification A-A-1192A (Type 1) WW-H-171-E (Type 1), ANSI/MSS SP-69 and MSS SP-58 (Type 1).

Installation: Hanger rod nut above clevis must be tightened securely to assure proper hanger performance.

Adjustment: Vertical adjustment without removing pipe may be made from 1⁵/₁₆" through 3³/₁₆", varying with the size of the clevis. Tighten upper nut after adjustment.

Ordering: Specify pipe size, figure number, name and finish.

Note: Figure 590 sizes 12" and below typically feature a Figure 260 Top Component.

Fig. 590: Dimensions (in) Loads (lbs) • Weight (lbs)

D.I./C.I. Pipe Size	Max Load	Weight	D.I./C.I. Pipe O.D.	Rod Size A	B	C	E	F	G Width Lower
3	1,350	1.10	3.96	1/2	5 ¹ / ₁₆	7 ¹ / ₁₆	4 ³ / ₁₆	1 ¹³ / ₁₆	1 ¹ / ₄
4	1,430	1.64	4.80	5/8	5 ³ / ₄	8 ³ / ₁₆	4 ³ / ₄	1 ¹⁵ / ₁₆	1 ¹ / ₂
6	1,940	4.26	6.90	3/4	7 ⁷ / ₈	10 ⁹ / ₁₆	5 ¹⁵ / ₁₆	2 ¹ / ₄	1 ³ / ₄
8	2,000	6.70	9.05		8 ⁵ / ₈	13 ³ / ₁₆	7 ¹ / ₂		
10	3,600	9.73	11.10	7/8	10 ⁷ / ₈	15 ¹¹ / ₁₆	8 ³ / ₄	2 ⁵ / ₁₆	2
12	3,800	13.64	13.20		12 ¹ / ₁₆	18 ¹¹ / ₁₆	10 ¹¹ / ₁₆	2 ⁷ / ₈	
14	4,200	16.04	15.30	1	13 ³ / ₄	20 ⁷ / ₈	11 ⁵ / ₁₆	2 ⁹ / ₁₆	2 ¹ / ₂
16	4,600	24.52	17.40		14 ¹ / ₄	22 ¹⁵ / ₁₆	12 ⁹ / ₁₆	2 ⁷ / ₁₆	
18	4,800	27.45	19.50	1 ¹ / ₄	16 ⁷ / ₈	26 ⁵ / ₈	15 ³ / ₁₆	3 ¹³ / ₁₆	3
20	4,800	46.24	21.60		18 ³ / ₄	29 ¹ / ₁₆	16 ³ / ₈		
24	4,800	57.10	25.80		20 ⁵ / ₁₆	33 ³ / ₄	18 ³ / ₈		

PROJECT INFORMATION	APPROVAL STAMP
Project:	Approved
Address:	Approved as noted
Contractor:	Not approved
Engineer:	Remarks:
Submittal Date:	
Notes 1:	
Notes 2:	