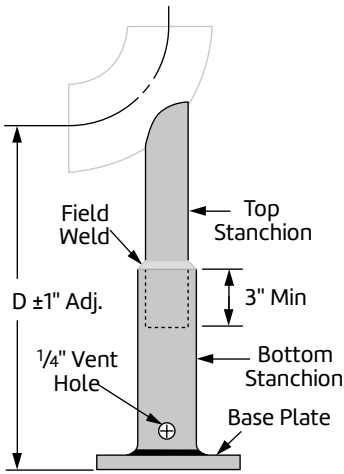
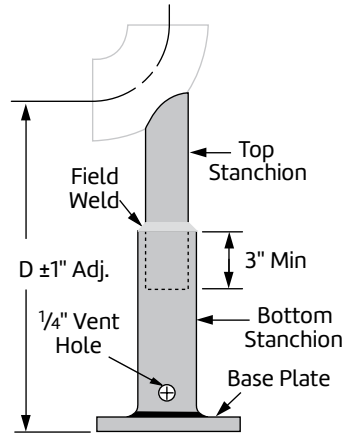


## Pipe Stanchion

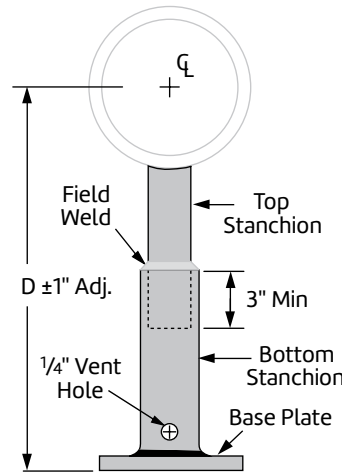
**Fig. 62, Type: A, B, C**



**Fig. 62, Type A**  
(L. R. Elbow)  
with adjustable base



**Fig. 62, Type B**  
(S. R. Elbow)  
with adjustable base



**Fig. 62, Type C**  
(Horizontal Pipe)  
with adjustable base

**Size Range:** 2" through 18"

**Material:** Carbon steel

**Finish:**

Plain or Hot-Dip Galvanized

**Service:** Stanchion type of support for stationary pipe where vertical adjustment is required.

**Maximum Temperature:**

Plain 650° F, Galvanized 450° F

**Ordering:** Specify figure number, type, pipe size, top stanchion size, material specification and "D" dimension.

For base plates that require holes, also specify hole size, and the center line to center line of the holes.

Pipe or Elbow Size (in)	Top Stanchion Size (Standard Weight Pipe)			
	1½	2½	4	5
2	•			
2½	•			
3	•	•		
4	•	•		
5	•	•	•	
6		•	•	•
8			•	•
10			•	•
12				•
14				•
16				•
18				•
<b>Weight (Lbs)</b>	12	28	55	75

• Indicates available stanchion size for pipe or elbow size.

• Weights based on a "D" dimension of 2'-0".

Dimensions (in)		
Top Stanchion	Bottom Stanchion	Base Plate
1½	2 Std.	¾ x 6 x 6
2½	3 Std.	¾ x 10 x 10
4	5 Sch. 80	¾ x 10 x 10
5	6 Sch. 80	¾ x 10 x 10



**Fig. 62**  
Stanchion with Adjustable Base

PROJECT INFORMATION	APPROVAL STAMP
Project:	Approved
Address:	Approved as noted
Contractor:	Not approved
Engineer:	Remarks:
Submittal Date:	
Notes 1:	
Notes 2:	