

High Pressure Rigid Coupling with "C" Gasket Fig. 65HP



Material Specifications

Housing

Ductile Iron Housings conform to ASTM A-536, Grade 65-45-12

Coating

Orange Paint (rust inhibiting) – Standard Coating – Fig. 65SR

Coupling Gasket Style

"C" Style – T-Nitrile ONLY

Coupling Gasket Material

Grade T-Nitrile (Double Orange Stripe)
-20°F (-29°C) to +180°F (+82°C) Service Temperature Range. For use with petroleum applications, vegetable & mineral oils, and air with oil vapors.
NOT FOR USE IN HOT WATER, STEAM, OR NATURAL GAS APPLICATIONS.

Nuts and Bolts

Zinc electroplated, heat treated, oval neck track head bolts conforming to ASTM-183 Grade 2 with a minimum tensile strength of 110,000 psi; Heavy hex nuts made of carbon steel conforming to ASTM A-563 Grade A or Grade B, or J995 Grade 2.

SCI track bolts are 100% magnetic particle inspected. The SCI logo appears on all COOPLOK™ track bolts.

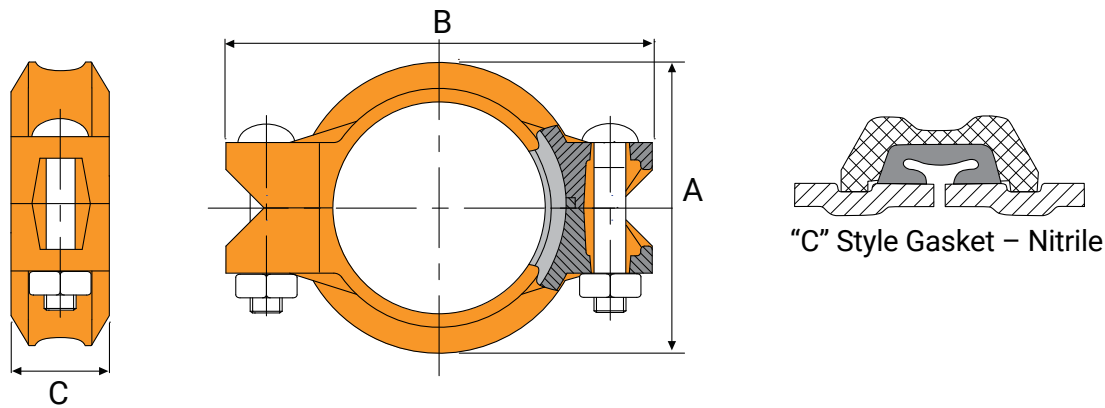
Figure 65HP extra heavy couplings are designed for high pressure service up to 1,000 psi; proof tested to 3 times maximum working pressure. As housings are tightened on the pipe, the tongue and groove design grips the pipe groove circumference providing a rigid joint connection. Bolt torques are cast into each coupling housing to simplify installation. Commonly used in oil field applications.

- Maximum working pressure up to 1000 psi depending on coupling size and schedule of pipe
- All housings, gaskets and bolts identified by SCI logo
- 100% magnetic particle inspection of each bolt
- Each bolt has a minimum tensile strength of 110,000 psi
- Gasket Grade T – Nitrile (double orange stripe) -20°F (-29°C) to +180°F (+82°C)
- Ductile iron housings conform to ASTM A-536 Grade 65-45-12
- Groove dimensions to AWWA C-606
- Finish: Orange enamel paint
- ASC Engineered Solutions™ Warranty only applies to assemblies made with housings, gaskets and bolts carrying the SCI logo



PROJECT INFORMATION	APPROVAL STAMP
Project:	Approved
Address:	Approved as noted
Contractor:	Not approved
Engineer:	Remarks:
Submittal Date:	
Notes 1:	
Notes 2:	

High Pressure Rigid Coupling with “C” Gasket Fig. 65HP



Pipe Size in/mm	Part Number Painted	Pipe OD in/mm	Max Pipe End Gap in/mm	Dimensions			Max Working Pressure* psi/kPa	Max End Load* lb/kg	Case Qty	Weight lb/kg
				A in/mm	B in/mm	C in/mm				
2 50	65HPN3020N	2.375 60.3	1/8 3.6	3.50 89.0	5.63 143.0	1.89 48.0	1,000 6,900	2,950 1,340	15	3.23 1.5
3 80	65HPN3030N	3.500 88.9	1/8 3.6	4.69 119.0	7.01 178.0	1.89 48.0	1,000 6,900	6,600 3,000	12	4.63 2.1
4 100	65HPN3040N	4.500 114.3	1/4 6.4	5.94 151.0	8.70 221.0	2.13 54.0	1,000 6,900	11,920 5,410	6	8.26 3.8
6 150	65HPN3060N	6.625 168.3	1/4 6.4	8.31 211.0	11.34 288.0	2.28 58.0	1,000 6,900	26,000 11,800	—	16.97 7.5

* Maximum working pressure and maximum end load are determined from all internal and external loads, based on standard weight steel pipe, grooved per ASC Engineered Solutions™ roll or cut grooved specifications.

Please see complete installation instructions at www.asc-es.com for important guidelines and limitations on the use and applications of COOPLOK™ Grooved Couplings and Fittings.



asc-es.com

Building connections that last™