

## Lightweight Rigid Coupling with “C” Gasket Fig. 65LR & 66LR



Figure 65LR & 66LR Lightweight Rigid couplings are designed for use in piping systems when rigid piping connections are desired. The angle-pad design allows the coupling housing to slide when tightened. This provides offset clamping that creates a rigid joint resistant to flexural and torsional loads.

- Maximum working pressure 500 psi (34.5 bar) depending on coupling size and schedule of pipe
- All housings, gaskets and bolts identified by SCI logo
- 100% magnetic particle inspection of each bolt
- Each bolt has a minimum tensile strength of 110,000 psi
- Gaskets are Pre-Lubricated
- Gasket Grade E – EPDM (green stripe) -30°F (-34°C) to +230°F (+110°C)
- Gasket Grade T – Nitrile (orange stripe) -20°F (-29°C) to +180°F (+82°C)
- Gasket Grade O – Fluoroelastomer (blue stripe) +20°F (-6°C) to +300°F (+149°C)
- Ductile iron housings conform to ASTM A-536 Grade 65-45-12
- Groove Dimensions to AWWA C-606
- Finishes:
  - Orange enamel paint
  - Hot dipped galvanized conforming to ASTM A-153
- ASC Engineered Solutions™ Warranty only applies to assemblies made with housings, gaskets and bolts carrying the SCI logo

### Material Specifications

#### Housing

Ductile Iron Housings conform to ASTM A-536, Grade 65-45-12

#### Coating

- Orange Paint (rust inhibiting) – Standard Coating – Fig. 65LR
- Hot Dipped Galvanized conforming to ASTM A-153 – Fig. 66LR

#### Coupling Gasket Style

- “C” Style – E-EPDM, T-Nitrile, O-Fluoroelastomer
- Triple Seal – EPDM Only
- Fig. 65LRTRI – Painted, Fig. 66LRTRI – Galvanized

#### Coupling Gasket Material

Pre-lubricated Grade E-EPDM (Green Stripe)  
-30°F (-34°C) to +230°F (+110°C) Service Temperature Range

For use with water service, diluted acids, alkali solutions, oil-free air and other chemical services.  
NOT FOR PETROLEUM, STEAM, OR NATURAL GAS APPLICATIONS.

Grade T-Nitrile (Orange Stripe)  
-20°F (-29°C) to +180°F (+82°C) Service Temperature Range

For use with petroleum applications, vegetable & mineral oils, and air with oil vapors.  
NOT FOR USE IN HOT WATER, STEAM, OR NATURAL GAS APPLICATIONS.

Grade O – Fluoroelastomer (Blue Stripe)  
+20°F (-6°C) to +300°F (+149°C) Service Temperature Range

For high temperature resistance to oxidizing acids, petroleum oils, hydraulic fluids, halogenated hydrocarbons, and lubricants. (Special Order)

#### Nuts and Bolts

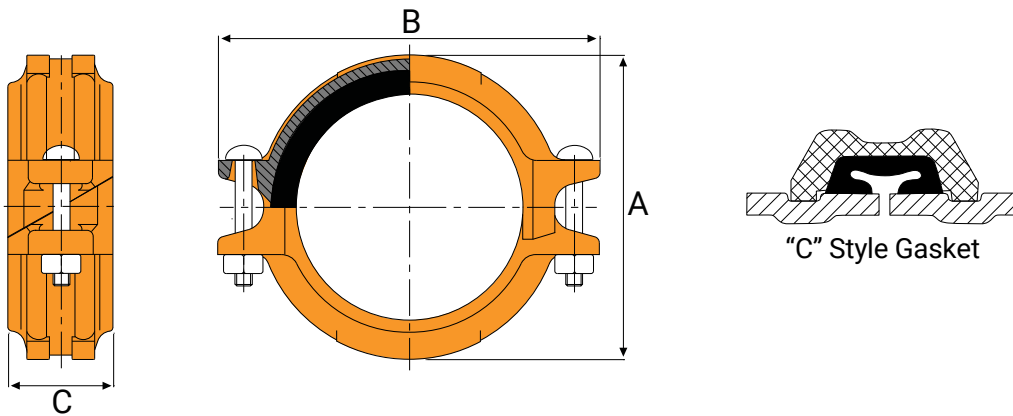
Zinc electroplated, heat treated, oval neck track head bolts conforming to ASTM-183 Grade 2 with a minimum tensile strength of 110,000 psi; Heavy hex nuts made of carbon steel conforming to ASTM A-563 Grade A or Grade B, or J995 Grade 2.

SCI track bolts are 100% magnetic particle inspected. The SCI logo appears on all COOPLOK™ track bolts.



PROJECT INFORMATION	APPROVAL STAMP
Project:	Approved
Address:	Approved as noted
Contractor:	Not approved
Engineer:	Remarks:
Submittal Date:	
Notes 1:	
Notes 2:	

## Lightweight Rigid Coupling with Triple Seal Gasket Fig. 65LR & 66LR



Pipe Size in/mm	Part Number		Pipe OD in/mm	Max Pipe End Gap in/mm	Dimensions			Case Qty	Weight lb/kg
	Painted	Galvanized			A in/mm	B in/mm	C in/mm		
1¼ 32	65LR3012	66LR3012	1.660 42.2	1/16 1.6	2.66 67.6	4.09 103.9	1.85 47.0	24	1.3 0.6
1½ 40	65LR3014	66LR3014	1.900 48.3	1/16 1.6	2.93 74.4	4.37 111.0	1.85 47.0	36	1.4 0.6
2 50	65LR3020	66LR3020	2.375 60.3	1/16 1.6	3.44 87.4	4.80 121.9	1.85 47.0	30	1.7 0.8
2½ 65	65LR3024	66LR3024	2.875 73.0	1/16 1.6	3.96 100.6	5.28 134.1	1.85 47.0	24	2.0 0.9
3 80	65LR3030	66LR3030	3.500 88.9	1/16 1.6	4.55 115.6	5.91 150.1	1.85 47.0	20	2.2 1.0
4 100	65LR3040	66LR3040	4.500 114.3	1/8 3.2	5.83 148.1	7.28 184.9	2.01 51.1	10	3.4 1.5
5 125	65LR3050	66LR3050	5.563 141.3	1/8 3.2	6.87 174.5	8.62 218.9	2.01 51.1	8	4.4 2.0
6 150	65LR3060	66LR3060	6.625 168.3	1/8 3.2	8.03 204.0	9.76 247.9	2.01 51.1	6	5.4 2.4
8 200	65LR3080	66LR3080	8.625 219.1	1/8 3.2	10.16 258.1	12.52 318.0	2.52 64.0	—	10.5 4.8

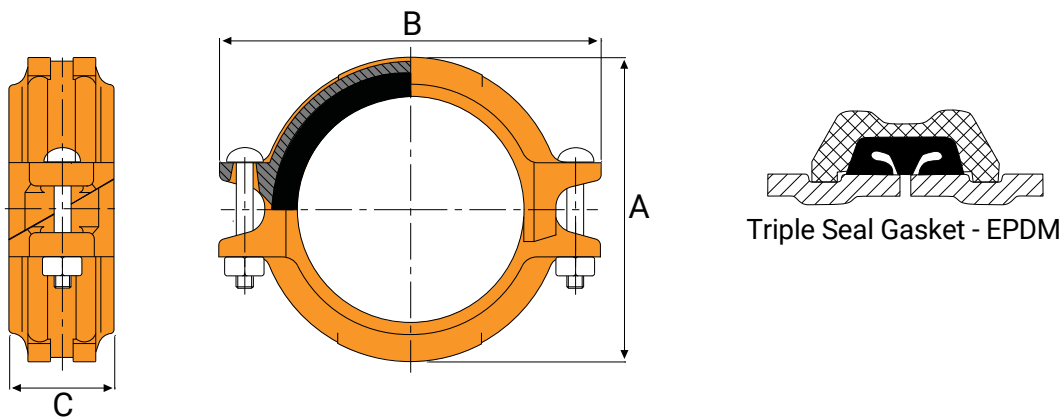


asc-es.com

Building connections that last™

## Lightweight Rigid Coupling with “C” Gasket Fig. 65LRTRI & 66LRTRI

- Maximum working pressure 500 psi (34.5 bar) depending on coupling size and schedule of pipe
- All housings, gaskets and bolts identified by SCI logo
- 100% magnetic particle inspection of each bolt
- Each bolt has a minimum tensile strength of 110,000 psi
- Gasket Grade E – EPDM (green stripe) -30°F (-34°C) to +230°F (+110°C)
- Other gasket materials available by special order
- Ductile iron housings conform to ASTM A-536 Grade 65-45-12
- Groove Dimensions to AWWA C-606
- Finishes:
  - Orange enamel paint
  - Hot dipped galvanized conforming to ASTM A-153
- ASC Engineered Solutions™ Warranty only applies to assemblies made with housings, gaskets and bolts carrying the SCI logo



Pipe Size in/mm	Part Number		Pipe OD in/mm	Max Pipe End Gap in/mm	Dimensions			Case Qty	Weight lb/kg
	Painted	Galvanized			A in/mm	B in/mm	C in/mm		
1¼ 32	65LRTRI3012	66LRTRI3012	1.660 42.2	1/16 1.6	2.66 67.6	4.09 103.9	1.85 47.0	36	1.3 0.6
1½ 40	65LRTRI3014	66LRTRI3014	1.900 48.3	1/16 1.6	2.93 74.4	4.37 111.0	1.85 47.0	36	1.4 0.6
2 50	65LRTRI3020	66LRTRI3020	2.375 60.3	1/16 1.6	3.44 87.4	4.80 121.9	1.85 47.0	30	1.7 0.8
2½ 65	65LRTRI3024	66LRTRI3024	2.875 73.0	1/16 1.6	3.96 100.6	5.28 134.1	1.85 47.0	24	2.0 0.9



asc-es.com

Building connections that last™

Lightweight Rigid Coupling with “C” Gasket  
**Fig. 65LRTRI & 66LRTRI**

Pipe Size in/mm	Part Number		Pipe OD in/mm	Max Pipe End Gap in/mm	Dimensions			Case Qty	Weight lb/kg
	Painted	Galvanized			A in/mm	B in/mm	C in/mm		
3 80	65LRTRI3030	66LRTRI3030	3.500 88.9	1/16 1.6	4.55 115.6	5.91 150.1	1.85 47.0	20	2.2 1.0
4 100	65LRTRI3040	66LRTRI3040	4.500 114.3	1/8 3.2	5.83 148.1	7.28 184.9	2.01 51.1	18	3.4 1.5
5 125	65LRTRI3050	66LRTRI3050	5.563 141.3	1/8 3.2	6.87 174.5	8.62 218.9	2.01 51.1	12	4.4 2.0
6 150	65LRTRI3060	66LRTRI3060	6.625 168.3	1/8 3.2	8.03 204.0	9.76 247.9	2.01 51.1	10	5.4 2.4
8 200	65LRTRI3080	66LRTRI3080	8.625 219.1	1/8 3.2	10.16 258.1	12.52 318.0	2.52 64.0	—	10.5 4.8