

## Standard Weight Flexible Coupling with Triple Seal Gasket Fig. 65SFTRI & 66SFTRI



Figure 65SFTRI & 66SFTRI Standard Weight Flexible couplings are designed for use in piping systems where flexibility is desired. They allow for pipe movement caused by seismic action and thermal variations, and will also attenuate noise & vibration transmitted through the piping system.

- Maximum working pressure depending on coupling size and schedule of pipe:
  - 1" to 6" - 1000 psi (68.9 bar)
  - 8" - 800 psi (55.1 bar)
- All housings, gaskets and bolts identified by SCI logo
- Gasket Grade E - EPDM (green stripe) -30°F (-34°C) to +230°F (+110°C)
- Other gasket materials available by special order
- Ductile iron housings conform to ASTM A-536 Grade 65-45-12
- Groove dimensions to AWWA C-606
- Finishes: Orange enamel paint
  - Hot dipped galvanized conforming to ASTM A-153
- ASC Engineered Solutions™ Warranty only applies to assemblies made with housings, gaskets and bolts carrying the SCI logo

### Material Specifications

#### Housing

Ductile Iron Housings conform to ASTM A-536, Grade 65-45-12

#### Coating

- Orange Paint (rust inhibiting) - Standard Coating - Fig. 65SFTRI
- Hot Dipped Galvanized conforming to ASTM A-153 - Fig. 66SFTRI

#### Coupling Gasket Style

Triple Seal - E-EPDM Only  
Fig. 65SFTRI - Painted, Fig. 66SFTRI - Galvanized

#### Coupling Gasket Material

Pre-lubricated Grade E-EPDM (Green Stripe)  
-30°F (-34°C) to +230°F (+110°C) Service Temperature Range

For use with water service, diluted acids, alkali solutions, oil-free air and other chemical services. NOT FOR PETROLEUM, STEAM, OR NATURAL GAS APPLICATIONS.

Grade T-Nitrile (Orange Stripe)  
-20°F (-29°C) to +180°F (+82°C) Service Temperature Range

For use with petroleum applications, vegetable & mineral oils, and air with oil vapors. NOT FOR USE IN HOT WATER, STEAM, OR NATURAL GAS APPLICATIONS.

Grade O - Fluoroelastomer (Blue Stripe)  
+20°F (-6°C) to +300°F (+149°C) Service Temperature Range

For high temperature resistance to oxidizing acids, petroleum oils, hydraulic fluids, halogenated hydrocarbons, and lubricants. (Special Order)

#### Nuts and Bolts

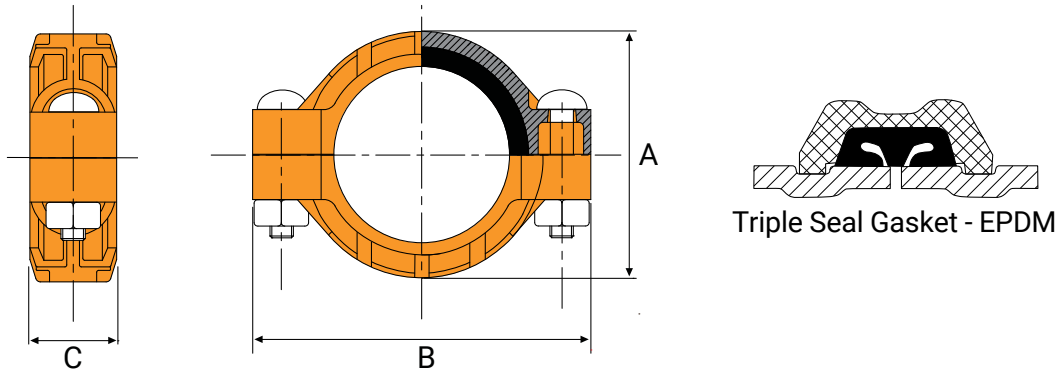
Zinc electroplated, heat treated, oval neck track head bolts conforming to ASTM-183 Grade 2 with a minimum tensile strength of 110,000 psi; Heavy hex nuts made of carbon steel conforming to ASTM A-563 Grade A or Grade B, or J995 Grade 2.

SCI track bolts are 100% magnetic particle inspected. The SCI logo appears on all COOPLOK™ track bolts.



PROJECT INFORMATION	APPROVAL STAMP
Project:	Approved
Address:	Approved as noted
Contractor:	Not approved
Engineer:	Remarks:
Submittal Date:	
Notes 1:	
Notes 2:	

## Standard Weight Flexible Coupling with Triple Seal Gasket Fig. 65SFTRI & 66SFTRI



Pipe Size in/mm	Part Number		Pipe OD in/mm	Max Pipe End Gap in/mm	Dimensions			Deflection Degrees	Number of Sections	Case Qty	Weight lb/kg
	Painted	Galvanized			A	B	C				
1¼ 32	65SFTRI3012	66SFTRI3012	1.660 42.2	⅛ 3.2	2.70 68.5	4.41 112.0	1.89 48.0	2.1	2	24	2.2 1.0
1½ 40	65SFTRI3014	66SFTRI3014	1.900 48.3	⅛ 3.2	2.93 74.5	4.69 119.0	1.89 48.0	1.9	2	24	2.3 1.0
2 50	65SFTRI3020	66SFTRI3020	2.375 60.3	⅛ 3.2	3.48 88.5	5.20 132.0	1.89 48.0	2.0	2	20	2.5 1.1
2½ 65	65SFTRI3024	66SFTRI3024	2.875 73.0	⅛ 3.2	4.04 102.5	5.71 145.0	1.89 48.0	2.3	2	16	3.0 1.4
3 80	65SFTRI3030	66SFTRI3030	3.500 88.9	⅛ 3.2	4.63 117.5	6.50 165.0	1.89 48.0	2.0	2	16	3.3 1.4
4 100	65SFTRI3040	66SFTRI3040	4.500 114.3	¼ 6.4	6.00 152.4	8.35 212.0	2.13 54.0	2.2	2	8	6.1 2.8
5 125	65SFTRI3050	66SFTRI3050	5.563 141.3	¼ 6.4	7.07 179.5	10.04 255.0	2.13 54.0	1.8	2	6	8.5 3.9
6 150	65SFTRI3060	66SFTRI3060	6.625 168.3	¼ 6.4	8.31 211.0	11.42 290.0	2.15 54.5	1.6	2	4	10.6 4.8
8 200	65SFTRI3080	66SFTRI3080	8.625 219.1	¼ 6.4	10.35 263.0	13.62 346.0	2.48 63.0	1.4	2	-	16.4 7.5

Please see complete installation instructions at [www.asc-es.com](http://www.asc-es.com) for important guidelines and limitations on the use and applications of COOPLOK™ Grooved Couplings and Fittings.



[asc-es.com](http://asc-es.com)

Building connections that last™