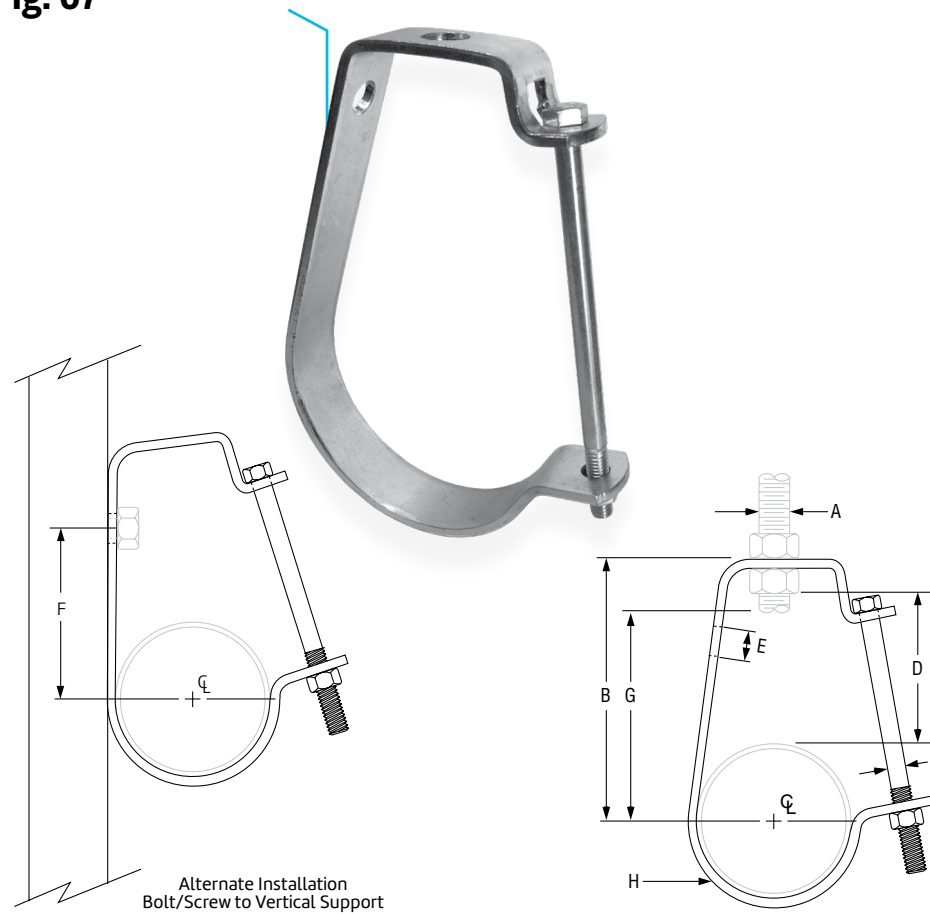


Pipe or Conduit Hanger Fig. 67



Size Range: ½" through 6"

Material: Carbon steel

Finish: Zinc Plated
(Hot-Dip Galvanized optional)

Service: Can be suspended by hanger rod or attached to wall. "T" slot in hanger permits side bolt to be installed after installation and setting of pipe.

Approvals: Complies with Federal Specification A-A-1192A (Type 5), ANSI/MSS SP-69 and MSS SP-58 (Type 5).

Components: Strap and bolt with nut – assembled.

Ordering: Specify pipe size, figure number and name.

Fig. 67: Dimensions (in) • Loads (lbs) • Weight (lbs)

Pipe Size	Load Rating	Weight	Rod Size A	B	C	D	E	F	G	H Width
½	400	0.21	¾	2 ⁵ / ₈	¼	1 ³ / ₄	7 ¹ / ₁₆	1 ³ / ₄	1 ¹⁵ / ₁₆	1
¾		0.22		2 ⁷ / ₈		1 ⁷ / ₈		2	2 ¹ / ₈	
1		0.25		3		1 ¹⁵ / ₁₆		2 ¹ / ₈	2 ⁵ / ₁₆	
1¼		0.27		3 ¹ / ₄		2		2 ⁵ / ₈	2 ⁵ / ₈	
1½		0.29		3 ¹ / ₂		2 ³ / ₁₆		2 ⁷ / ₈	2 ⁷ / ₈	
2	500	0.31	½	3 ³ / ₄	¾	2 ¹ / ₈	9 ¹ / ₁₆	2 ³ / ₈	3 ¹ / ₁₆	1¼
2½		0.71		4 ³ / ₈		2 ⁷ / ₁₆		3 ³ / ₈	3 ⁵ / ₈	
3		0.78		4 ⁷ / ₈		2 ⁹ / ₁₆		3 ³ / ₄	4 ¹ / ₁₆	
4	550	1.39	5/8	6 ¹ / ₈	¾	3 ³ / ₁₆	9/16	4 ⁷ / ₈	5 ³ / ₁₆	1¼
5		1.66		6 ³ / ₄		3 ¹ / ₄		5 ¹ / ₂	5 ³ / ₄	
6	600	2.26	¾	7 ³ / ₄		3 ⁹ / ₁₆		6 ¹ / ₄	6 ⁵ / ₈	

PROJECT INFORMATION	APPROVAL STAMP
Project:	Approved
Address:	Approved as noted
Contractor:	Not approved
Engineer:	Remarks:
Submittal Date:	
Notes 1:	
Notes 2:	