

Building connections that last™



Fig. 67BFVG

Grooved End Butterfly Valve Datasheet

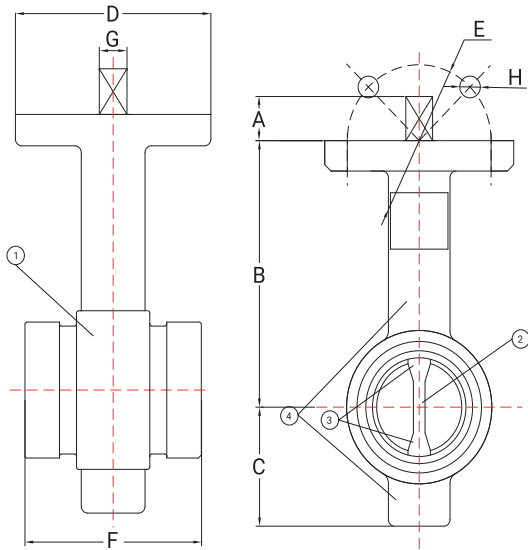


Grooved End Butterfly Valve

Fig. 67BFVG



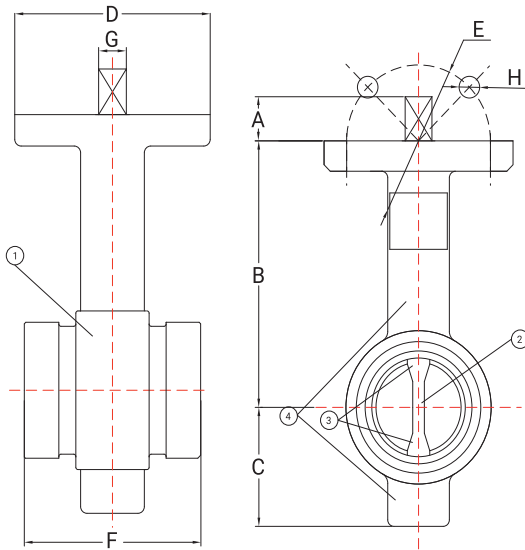
- 300 psi
- Ductile iron body
- EPDM 200° F maximum working temperature
- NBR 180° F maximum working temperature
- Ten-Position lever handle or gear operator
- Grooved ends
- Rubber encapsulated DI Disc



No.	Part	Material Specification
1	Body	ASTM A-536 Ductile Iron
2	Disc	ASTM A-536 Ductile Iron with either EPDM or NBR Coating
3	Upper and Lower Shafts	ASTM A-276 Stainless Steel
4	O-Rings	EPDM or NBR

Grooved End Butterfly Valve

Fig. 67BFVG



Pipe Size	Part Number				A	B	C	D	E	F	G	H	Hand-wheel	Weight w/Lever	Weight w/Gear
	EPDM Lever	EPDM Gear	NBR Lever	NBR Gear											
2	67BFVGE020	67BFVGE020	67BFVGN020	67BFVGN020	1.26	4.84	2.17	3.54	2.76	3.19	0.43	0.39	5.75	6.7	11.95
50					32.0	123.0	55.0	90.0	70.0	81.0	11.0	10.0	146.0	3.0	5.4
2-1/2	67BFVGE024	67BFVGE024	67BFVGN024	67BFVGN024	1.26	5.00	2.64	3.54	2.76	3.81	0.43	0.39	5.75	7.5	12.75
65					32.0	127.0	67.0	90.0	70.0	96.8	11.0	10.0	146.0	3.4	5.8
3	67BFVGE030	67BFVGE030	67BFVGN030	67BFVGN030	1.26	4.57	3.07	3.54	2.76	3.81	0.43	0.39	5.75	8.7	13.8
80					32.0	116.0	78.0	90.0	70.0	96.8	11.0	10.0	146.0	3.9	6.3
4	67BFVGE040	67BFVGE040	67BFVGN040	67BFVGN040	1.26	5.59	3.58	3.54	2.76	4.56	0.55	0.39	5.75	12.2	16.35
100					32.0	142.0	91.0	90.0	70.0	115.8	14.0	10.0	146.0	5.5	7.4
5	67BFVGE050	67BFVGE050	67BFVGN050	67BFVGN050	1.26	5.87	4.69	3.54	2.76	5.81	0.55	0.39	5.75	17.3	24.0
125					32.0	149.0	119.0	90.0	70.0	147.6	14.0	10.0	146.0	7.9	10.9
6	67BFVGE060	67BFVGE060	67BFVGN060	67BFVGN060	1.26	6.61	5.31	3.54	2.76	5.81	0.67	0.39	5.75	27.1	41.0
150					32.0	168.0	135.0	90.0	70.0	147.6	17.0	10.0	146.0	12.3	18.4
8	67BFVGE080	67BFVGE080	67BFVGN080	67BFVGN080	1.57	7.95	6.30	4.92	4.01	5.25	0.67	0.47	11.50	32.5	46.5
200					40.0	202.0	160.0	125.0	102.0	133.4	17.0	12.0	292	14.6	20.9
10	-	67BFVGE100	-	67BFVGN100	1.57	9.00	7.80	4.92	4.01	6.25	0.87	0.47	11.50	-	93.0
250					40.0	228.6	198.0	125.0	102.0	158.8	22.0	12.0	292.0	-	41.9
12	-	67BFVGE120	-	67BFVGN120	1.57	10.50	9.06	4.92	4.01	6.50	0.87	0.47	11.50	-	111.0
300					40.0	266.7	230.0	125.0	102.0	165.1	22.0	12.0	292.0	-	49.9

About ASC Engineered Solutions

ASC Engineered Solutions is defined by quality—in its products, services and support. With more than 1,400 employees, the company's portfolio of precision-engineered piping support, valves and connections provides products to more than 4,000 customers across industries, such as mechanical, industrial, fire protection, oil and gas, and commercial and residential construction. Its portfolio of leading brands includes ABZ Valve®, AFCON®, Anvil®, Anvil EPS, Anvil Services, Basic-PSA, Beck®, Catawissa, Cooplet®, FlexHead®, FPPI®, Gruklok®, J.B. Smith, Merit®, North Alabama Pipe, Quadrant®, SCI®, Sharpe®, SlideLOK®, SPF® and SprinkFLEX®. With headquarters in Commerce, CA, and Exeter, NH, ASC also has ISO 9001:2015 certified production facilities in PA, TN, IL, TX, AL, LA, KS, and RI.



asc-es.com

Building connections that last™

FC-DS-Series CV40-CV50-v01 20210909

