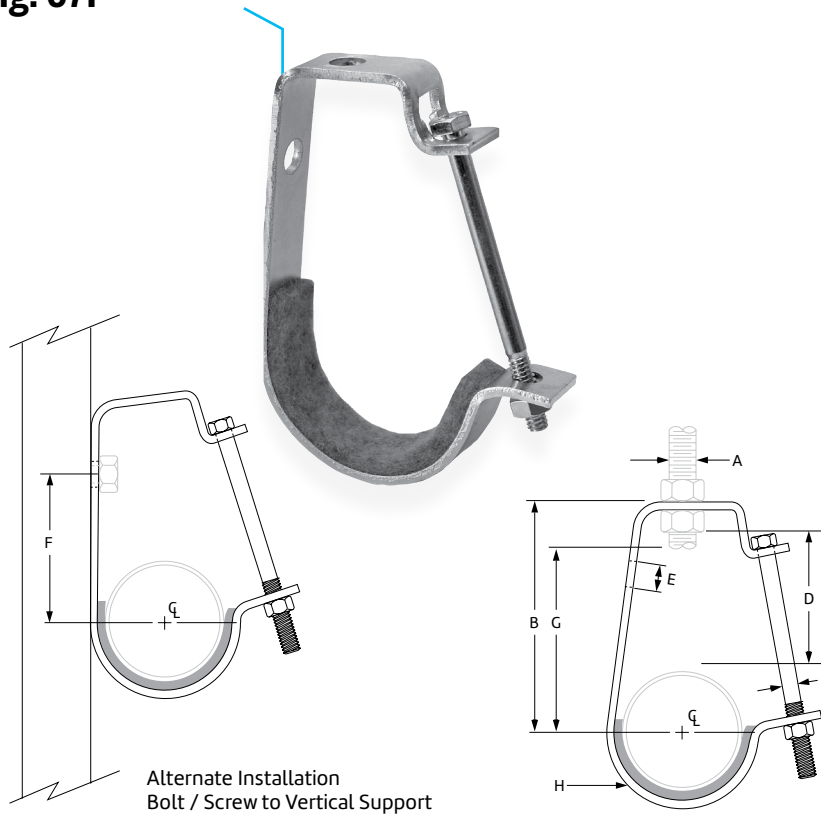


Copper Tube Felt Lined Hanger Fig. 67F



Size Range: ¼" through 6" copper tube

Material: Carbon steel and felt with adhesive backing

Finish: Zinc Plated (Hot-Dip Galvanized optional)

Service: Can be suspended by hanger rod or attached to wall. "T" slot in hanger permits side bolt to be installed after installation and setting of pipe.

Maximum Temperature: 120°F

Approvals: Complies with Federal Specification A-A-1192A (Type 5), ANSI/MSS SP-69 and MSS SP-58 (Type 5).

Features: The layer of felt separates the copper tubing from the steel strap for electrolytic resistance and also minimizes noise and vibration.

Components: Strap and bolt with nut – assembled.

Ordering: Specify felt hanger size, figure number and name.

Felt Lined Hanger: IPS Sizing • Dimensions (in)

Pipe Size	Felted Hanger Size
¾	1¼
1	1½
1¼	2
1½	2
2	2½
2½	3
3	4
4	5
5	6

Fig. 67F: Dimensions (in) • Loads (lbs) • Weight (lbs)

Tube Size	Felt Hanger Size	Load Rating	Rod Size A	B	C	D	E	F	G	H Width	Weight	
½	¾	400	¾	2¼	¾	25/32	13/32	19/32	19/32	¾	4/25	
¾	1			2 ²³ /32		15/32		1¾	1¾		1/5	
1	1¼			2 ²⁷ /32		15/32		1¾	17/8		11/50	
1¼	1¼			39/32		13/32		23/16	25/16		1/4	
1½	1½	500	½	37/16	½	17/16	9/16	21/8	27/16	13/16	1/4	
2	2			3 ²⁹ /32		11/16		219/32	2 ²⁹ /32		7/25	
2½	2½			49/16		23/32		9/16	215/32		319/32	27/50
3	3			51/32		2¼		9/16	2 ³¹ /32		41/16	63/100
4	4	550	5/8	61/8	½	25/8	11/16	3 ³¹ /32	415/16	13/16	91/100	
5	5			63/8		2¼		11/16	5		53/16	139/100
6	6	600	¾	711/16		3	13/16	57/8	6½	13/32	241/100	

PROJECT INFORMATION	APPROVAL STAMP
Project:	Approved
Address:	Approved as noted
Contractor:	Not approved
Engineer:	Remarks:
Submittal Date:	
Notes 1:	
Notes 2:	