

## Fig. 71SD Double Roll Horizontal Traveler Fig. 72SD Dual Direction Horizontal Traveler

### Fig. 71SD Double Roll Horizontal Traveler

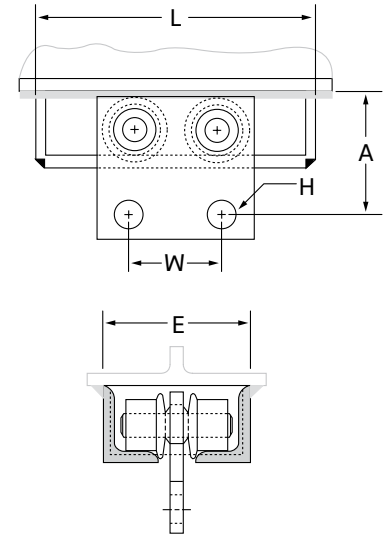
This product is a special design per customer requirements. Contact ASC Engineering Solutions™ for further information and how to order. The ASC Fig. 71SD horizontal traveler facilitates the supporting of piping systems subject to linear horizontal movements where head room is limited. Designed for use with ASC Variable Spring Hangers or Constant Supports it can also be used in conjunction with a rigid type hanger assembly.

Provides 12" Horizontal Travel

**Ordering:** Specify size number, Figure 71SD, and H = (Refer to constant support size and tables.)

#### 71SD Dimensions (In) • Loads (Lbs)

Size	Maximum Load	A Min	E	H Max	L	W
1	10,700	4¾	5⅝	1⅝	19¼	3
2	17,800	6	7	1¾	23¼	5
3	33,200	8	8⅝	2⅝	25¼	6



### Fig. 72SD Dual Direction Horizontal Traveler

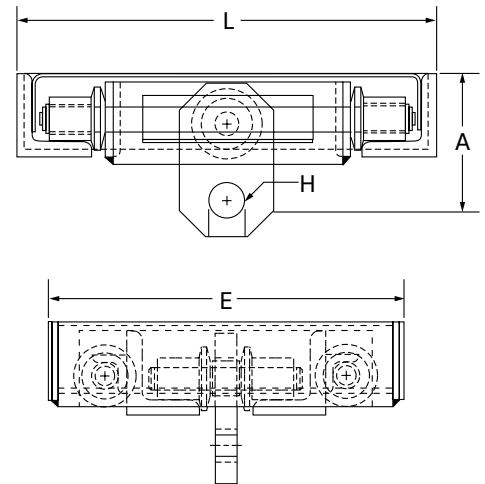
This product is a special design per customer requirements. Contact ASC Engineering Solutions™ for further information and how to order. The ASC Fig. 72SD Horizontal Traveler facilitates the supporting of piping systems subject to dual directional horizontal movements where head room is limited. Designed for use with ASC Variable Spring Hangers or Constant Supports, it can also be used in conjunction with a rigid type hanger assembly.

All sizes provide 12" Horizontal Travel

**Ordering:** Specify size number, Figure 72SD, and H = (Refer to constant support size and tables.)

#### 72SD Dimensions (In) • Loads (Lbs)

Size	Maximum Load	A Min	E	H Max	L
1	5,385	4⅝	20⅞	1⅝	19
2	8,900	6⅝	24½	1⅝	22½
3	16,600	8⅝	26⅞	1¾	24⅞
4	29,670	10¾	29⅝	2⅝	27⅝



PROJECT INFORMATION	APPROVAL STAMP
Project:	Approved
Address:	Approved as noted
Contractor:	Not approved
Engineer:	Remarks:
Submittal Date:	
Notes 1:	
Notes 2:	