

Flat Roller With Saddle Fig. 75SD

Fig. 75SD Flat Roller With Saddle

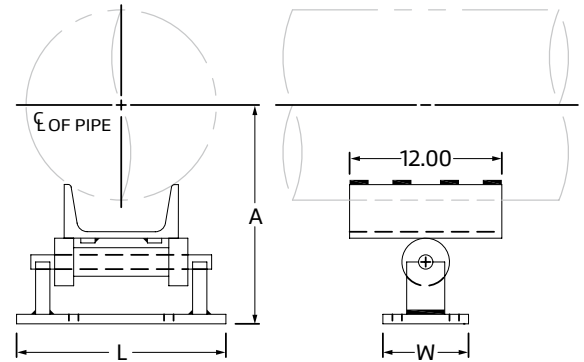
This product is a special design per customer requirements. Contact ASC Engineered Solutions™ for further information and how to order.
 Note: Type B Saddle - If attached to alloy pipe, furnish material specification applicable to the pipe. (Alloy Bars furnished for attachment to alloy pipe only.)
 Contact ASC Engineered Solutions for: non-standard dimensions, loads larger than specified, special designs and non-conductive rollers.

For temperatures exceeding 650°, use Type B.

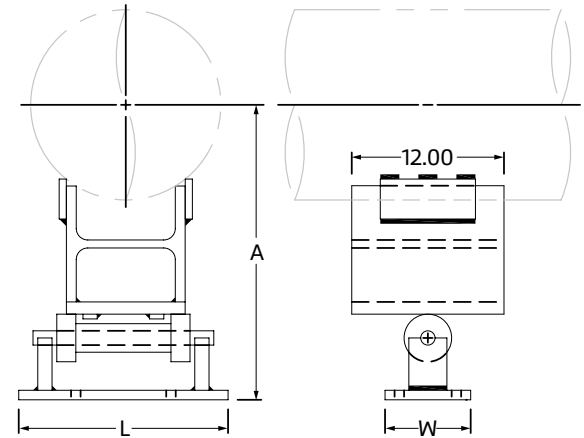
Ordering: Specify pipe size and Figure 75SD.

Fig. 75SD Dimensions (In) • Loads (Lbs)

Pipe Size	Recommended Load	A		L	W
		Type A	Type B		
4		6.19	7.38		
5	2380	6.81	8.00	6.00	5.00
6		7.44	5.56		
8		10.88	13.31		
10	5,680	12.25	14.62	9.50	
12		13.38	15.75		8.00
14		14.62	17.88		
16	9,240	15.75	19.06	12.00	
18		16.88	20.19		
20		17.81	22.00		
22	12,610	19.06	23.19	17.00	10.00
24		20.19	24.38		
26		21.38	25.50		
28		23.44	27.62		
30		24.69	25.88		
32	17,620	25.88	30.12	23.00	12.00
34		27.00	31.25		
36		28.19	32.38		
42		31.56	35.75		



with Type A Saddle



with Type B Saddle



PROJECT INFORMATION	APPROVAL STAMP
Project:	Approved
Address:	Approved as noted
Contractor:	Not approved
Engineer:	Remarks:
Submittal Date:	
Notes 1:	
Notes 2:	