

Butterfly Valve Series 7600



The versatile Series 7600 Grooved-End Butterfly Valve has features that can satisfy a wide range of service requirements and allow it to be used with a diverse range of fluids. Its ductile iron body is epoxy coated to resist atmospheric attack, and the elastomer encapsulated disc can be ordered with EPDM or Nitrile materials. Rugged enough to take the punishment, yet the Series 7600 Valve is light in weight for easy handling and installation.

The Series 7600 Valve is rated 200 PSI (13.8 bar) to full vacuum, at temperatures from 0° to 150° F (-17.8° to 65.6° C). Every valve is seat tested to 110% of rated pressure. Not intended for use in potable water systems.

General Specifications

Body

One-piece ductile iron, fully epoxy coated – light weight for easy handling.

Disc

Streamlined profile for maximum flow and minimal seat wear. The ductile iron disc is available with a choice of EPDM or Nitrile coverings.

Stem/Disc Attachment

A splined interference fit creates a permanent rigid connection between the disc and stem, and eliminates the need for pins or bolts in the flow way.

Stem

Two-piece design for maximum flow. Top stem is Double D, giving positive indication of disc position at all times.

Stem Seal

The interference between the rubber covered disc hub and the smooth, epoxy coated body provides the primary stem seal. O-rings on both upper and lower stems provide a secondary seal.

Handle

Two position on/off handle is standard.

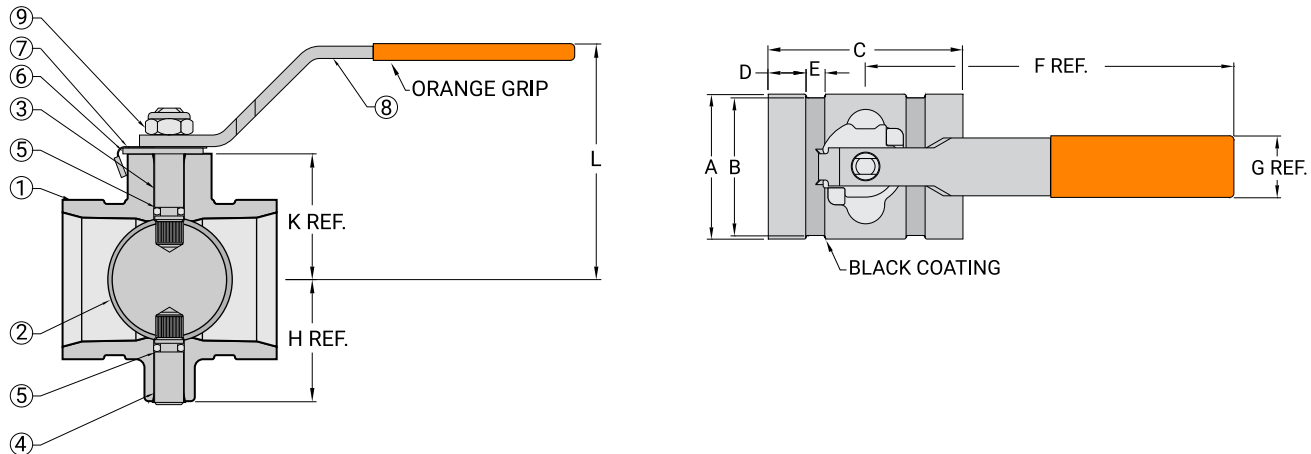
Testing And Conformance

Testing to MSS SP-67. Grooved ends conform to the requirements of AWWA C606 for steel pipe.



PROJECT INFORMATION	APPROVAL STAMP
Project:	Approved
Address:	Approved as noted
Contractor:	Not approved
Engineer:	Remarks:
Submittal Date:	
Notes 1:	
Notes 2:	

Butterfly Valve Series 7600



Series 7600 Butterfly Valve Dimensions

Size	Dimensions									
	A	B	C	D	E	H	I	J	K	L
2 50	2 ³ / ₈ 60.3	2 ¹ / ₄ 57.2	3 ⁷ / ₁₆ 87.4	5 ⁵ / ₈ 15.9	5 ⁵ / ₁₆ 8.7	6 152.4	1 25.4	1 ¹³ / ₁₆ 46.0	2 50.8	3 ³ / ₁₆ 81.0
2½ 65	2 ¹⁵ / ₁₆ 74.2	2 ³ / ₄ 70.2	3 ¹³ / ₁₆ 96.8	5 ⁵ / ₈ 15.9	3 ³ / ₈ 8.9	6 152.4	1 25.4	2 ¹ / ₁₆ 52.3	2 ⁷ / ₁₆ 62.0	3 ⁵ / ₈ 91.9
3 80	3 ⁹ / ₁₆ 90.3	3 ³ / ₈ 86.4	3 ¹³ / ₁₆ 96.8	5 ⁵ / ₈ 15.9	3 ³ / ₈ 8.9	8 ⁷ / ₁₆ 214.4	1 25.4	2 ⁵ / ₈ 66.5	2 ¹¹ / ₁₆ 68.1	4 ¹ / ₄ 108.0
4 100	4 ⁹ / ₁₆ 116.1	4 ³ / ₈ 111.8	4 ⁵ / ₈ 117.3	5 ⁵ / ₈ 15.9	3 ³ / ₈ 8.9	8 ⁷ / ₁₆ 214.4	1 25.4	3 ⁵ / ₁₆ 84.1	3 ⁵ / ₁₆ 84.1	4 ¹⁵ / ₁₆ 125.5
6 150	6 ³ / ₄ 171.0	6 ⁹ / ₁₆ 166.6	5 ¹ / ₄ 133.4	5 ⁵ / ₈ 15.9	3 ³ / ₈ 8.9	12 ¹ / ₄ 311.2	1 ¹ / ₄ 31.8	4 ³ / ₈ 111.3	4 ³ / ₈ 111.3	7 177.8

Material Specifications

- 1. Body**
Epoxy Coated, ASTM A 536
- 2. Disc**
EPDM or Nitrile, ASTM A 536
- 3. Lower Stem**
AISI 410
- 4. Upper Stem**
AISI 410
- 5. Stem O-Ring**
Nitrile
- 6. Latch Plate**
Zinc Plated, ASTM A 228
- 7. Latch Spring**
Electrolytic Coloring, ASTM A 228
- 8. Nut, Self Locking**
ASTM A 563
- 9. Handle**
Zinc Plated, ASTM A 619



asc-es.com

Building connections that last™