

## Fabricated Roller for Large Diameter Pipe Fig. 76SD

**Fig. 76SD** Fabricated Roller for Large Diameter Pipe

This product is a special design per customer requirements. Contact ASC Engineering Solutions™ for further information and how to order.

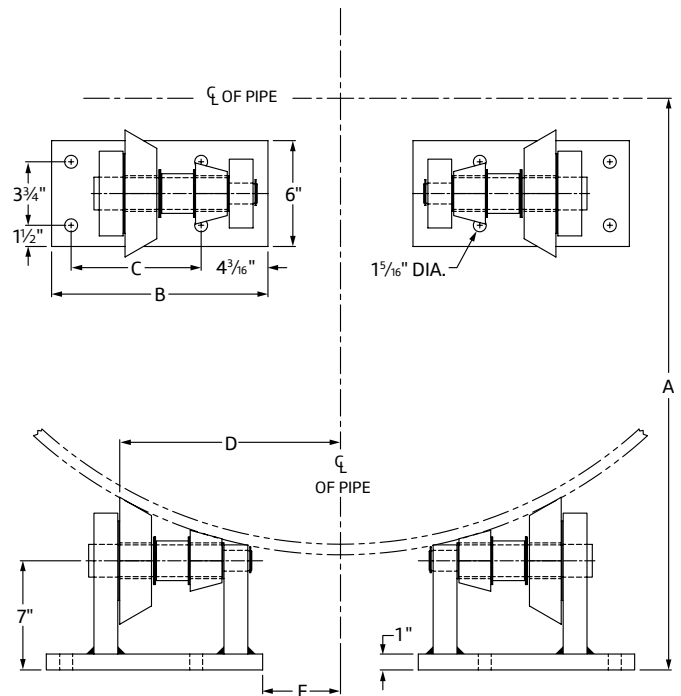
**Installation:** The two piece fabricated roller is designed for one of the two rollers on each side of the assembly to be in contact with the pipe.

**Fig. 76SD Loads (Lbs) • Dimensions (In)**

Steel Pipe Size	Max Load	A	B	C	D	E
30	60,000	23 <sup>1</sup> / <sub>8</sub>	13 <sup>5</sup> / <sub>8</sub>	8 <sup>3</sup> / <sub>16</sub>	8 <sup>15</sup> / <sub>16</sub>	0
36		26			9 <sup>15</sup> / <sub>16</sub>	1
42		28 <sup>7</sup> / <sub>8</sub>			10 <sup>15</sup> / <sub>16</sub>	2
46		30 <sup>3</sup> / <sub>4</sub>			11 <sup>11</sup> / <sub>16</sub>	2 <sup>3</sup> / <sub>4</sub>
46		31 <sup>3</sup> / <sub>16</sub>			12 <sup>13</sup> / <sub>16</sub>	1 <sup>1</sup> / <sub>4</sub>
48	60,000	32 <sup>1</sup> / <sub>16</sub>	16 <sup>1</sup> / <sub>4</sub>	10 <sup>13</sup> / <sub>16</sub>	13 <sup>1</sup> / <sub>4</sub>	1 <sup>11</sup> / <sub>16</sub>
54		34 <sup>15</sup> / <sub>16</sub>			14 <sup>5</sup> / <sub>16</sub>	2 <sup>3</sup> / <sub>4</sub>
60		37 <sup>11</sup> / <sub>16</sub>			15 <sup>1</sup> / <sub>2</sub>	3 <sup>15</sup> / <sub>16</sub>
66		40 <sup>9</sup> / <sub>16</sub>			16 <sup>9</sup> / <sub>16</sub>	5
72		43 <sup>3</sup> / <sub>8</sub>			17 <sup>7</sup> / <sub>8</sub>	6 <sup>1</sup> / <sub>16</sub>

**Fig. 76SD Loads (Lbs) • Dimensions (In)**

C.I./D.I. Pipe Size	Max Load	A	B	C	D	E
30	60,000	24 <sup>3</sup> / <sub>16</sub>	13 <sup>5</sup> / <sub>8</sub>	8 <sup>3</sup> / <sub>16</sub>	9 <sup>1</sup> / <sub>16</sub>	1 <sup>1</sup> / <sub>4</sub>
36		27 <sup>3</sup> / <sub>16</sub>			10 <sup>3</sup> / <sub>16</sub>	1 <sup>3</sup> / <sub>8</sub>
42		30 <sup>1</sup> / <sub>8</sub>			11 <sup>5</sup> / <sub>16</sub>	2 <sup>3</sup> / <sub>8</sub>
48		33 <sup>1</sup> / <sub>2</sub>			13 <sup>9</sup> / <sub>16</sub>	2



PROJECT INFORMATION	APPROVAL STAMP
Project:	Approved
Address:	Approved as noted
Contractor:	Not approved
Engineer:	Remarks:
Submittal Date:	
Notes 1:	
Notes 2:	