

Angular Motion Spring Fig. 868

Size Range:

000 through 19 available

Design Features:

- Spring rates are equal to values for B-268 load tables.
- The variable support has a total allowable travel range of 3½" inches.
- Working range min/max refer to the spring's load table chart.
- Assembly provides 2 inch of field adjustment in either direction.
- Self-aligned bushings permits +/- 5 degree misalignment or angular motion.
- Design virtually eliminates resultant forces and is free of friction forces.
- Allows minimum field welding.
- See catalog for more information in the spring hanger section.

Operating Temperatures:

- All components are suitable for operation of 400°F.
- The spring coils are suitable for operation at 300°F.
- Pipe clamps are suitable for operating piping temperatures as follows:
 - ASTM A 36 Carbon Steel – 650°F
 - ASTM A 516 GR. 65 Carbon Steel – 800°F
 - ASTM A 387 GR. 22 Alloy – 1075°F

Note: Stainless steel pipe clamps available upon request.

Ordering: Specify figure number, assembly size based on hot (operating) load, cold (theoretical) load or movement and direction, extension piece, rear bracket(s), and pipe clamp size and material.

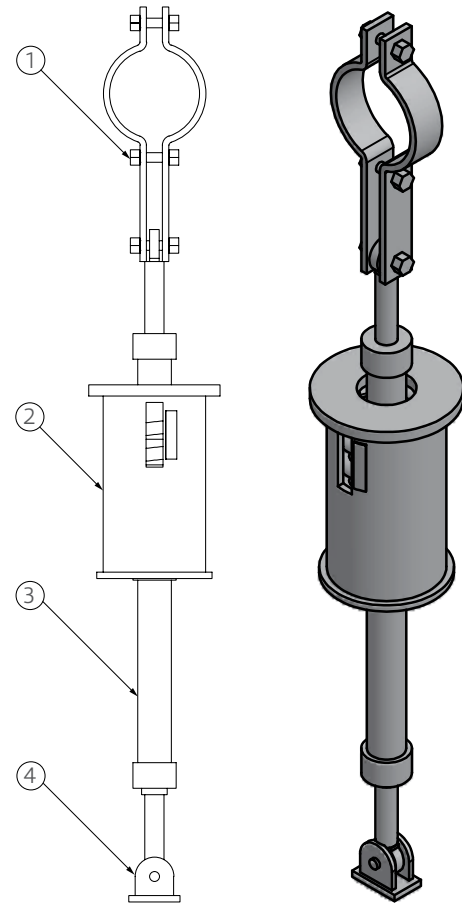


Fig. 868 Angular Motion Spring

1	Pipe Clamp Assembly - E-Take out Values
2	Spring Size determined with hot and cold loads
3	Extension Piece available - Sizes A, C, 2, 4, and 5 from Figure 211 with selected spring size
4	Rear Bracket is determined by item 2



PROJECT INFORMATION	APPROVAL STAMP
Project:	Approved
Address:	Approved as noted
Contractor:	Not approved
Engineer:	Remarks:
Submittal Date:	
Notes 1:	
Notes 2:	

Angular Motion Spring Fig. 868

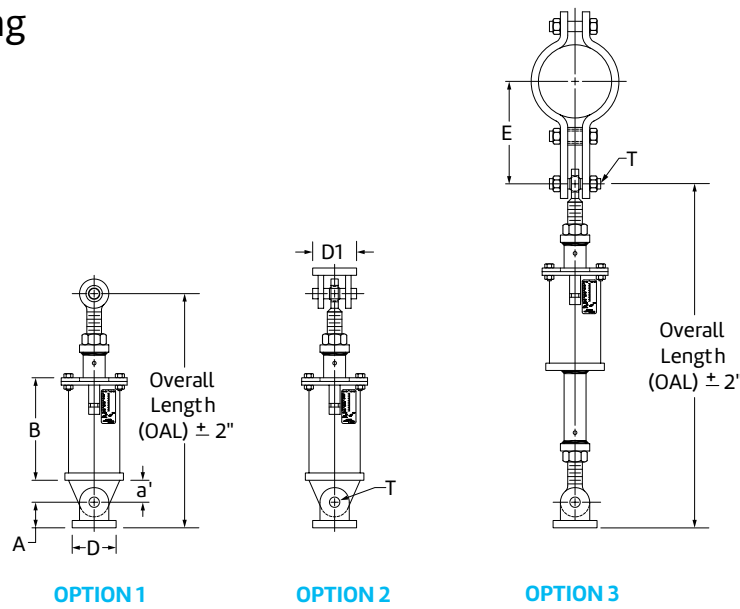


Fig. 868 Dimensions (in)

Spring Size	Extension Piece (Fig. 211)	A	a'	B	D	D1	E	T	OAL Max.
000 - 5	A	1	3/4	Refer to B Dimension Table	2	1/4	Refer to E-Take Out Table	3/8	50 1/2
6 - 13	C	2 1/2	1 3/4			2 3/8		3/4	80
14 - 16	2	3	2 7/8		3	2 7/8		1	98
17 & 18	4		2 1/4		3 3/16	1 1/4			
19	5		2 3/4		6 1/8	4 1/4		1 1/2	

B Dimensions (in)

Spring Size	Casing Length B
000	5 5/8
00	7 9/16
0	6 11/16
1	7 9/16
2	8 5/16
3	
4	7 15/16
5	8 5/8
6	8 13/16
7	10
8	
9	10 7/16
10	12 1/8
11	
12	10 7/16
13	13 1/8
14	
15	13 1/4
16	16 1/16
17	18 1/8
18	18 1/4
19	20 1/2

E-Take Out

Pipe Size	E-Take Out Dimensions (in) at 650°F					E Dimension at 1075°F				
	Sizes					Sizes				
	A	C	2	4	5	A	C	2	4	5
3/4	2 7/16	-	-	-	-	8	-	-	-	-
1	2 9/16	-	-	-	-	8 1/8	-	-	-	-
1 1/4	2 11/16	-	-	-	-	8 1/4	-	-	-	-
1 1/2	4 1/8	-	-	-	-	8 3/8	-	-	-	-
2	5 1/8	6 3/8	6 3/8	-	-	8 5/8	9 3/8	9 3/8	-	-
2 1/2	5 3/8	-	-	-	-	8 7/8	9 3/8	9 3/8	-	-
3	5 15/16	7	7	-	-	9 1/8	9 3/8	9 3/8	-	-
3 1/2	6 3/16	-	-	-	-	9 3/8	9 3/8	9 3/8	-	-
4	6 1/2	7 1/4	7 1/4	-	-	9 3/8	9 3/8	9 3/8	-	-
5	7 3/4	7 3/4	7 3/4	9 1/8	10	10 1/4	10 1/4	10 1/4	-	-
6	8 3/8	8 3/8	8 3/8	10	-	10 3/4	10 3/4	10 3/4	10 3/4	11 1/8
8	9 3/8	9 3/8	9 3/8	11 1/4	11 1/4	11 3/4	11 3/4	11 3/4	11 3/4	12 3/8
10	10 1/2	10 1/2	10 1/2	12 3/4	12 3/4	12 3/4	12 3/4	12 3/4	12 3/4	13 3/8
12	-	11 7/8	11 7/8	13 7/8	13 7/8	-	13 3/4	13 3/4	13 3/4	14 3/4
14	-	12 3/8	12 3/8	14 1/2	14 1/2	-	14 3/8	14 3/8	14 3/8	15 3/8
16	-	13 3/8	13 3/8	13 7/8	15 1/4	-	15 3/8	15 3/8	15 3/8	16 7/8
18	-	14 3/8	14 3/8	15 1/4	16 3/8	-	16 3/8	16 3/8	16 1/2	18
20	-	15 3/4	15 3/4	16 3/8	17 3/4	-	17 3/8	17 3/8	17 1/2	19 3/8
24	-	18 1/8	18 1/8	19 7/8	19 7/8	-	19 3/8	19 3/8	20 3/8	21 1/2
30	-	21 1/4	21 1/4	23	23	-	22 3/8	22 3/8	23 1/2	24 1/2
36	-	24	24	26 1/2	26 1/2	-	25 3/8	25 3/8	26 5/8	27 1/2