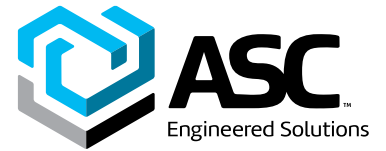


Building connections that last™



# ABZ 1CD

Dual Door Wafer Check  
Valve Datasheet



# Dual Door Wafer Check Valve ABZ 1CD



## Discontinued



### Features and Benefits

The 1CD series Wafer Dual Door Check Valve offers a one piece body constructed per API 594 standards. The body is completely isolated from external leakage. All shafts and plates are internally retained by utilizing an upper and lower retainer. Set screws secure these retainers during transportation and installation. After installation is complete, the flanges prevent the retainers from moving.

Rubber seats are installed using an innovative bonding process assuring seat stability under higher pressure and vacuum service. Metal seats are integral to the valve body. Many alloy seat materials are available as well as several hard-facing options such as Stellite #6 and Stellite #21. All 1CD series valves utilize a seat design that maintains complete seat seal contact with both plates. By lapping the sealing surface of the plates and metal seats, customers can be confident the ABZ 1CD check valve will maintain a positive seal under low and high pressures.

Corrosion resistant torsion springs are used to assist in valve closure. 1CD series torsion springs are designed with extension arms that apply pressure to precise areas of the plates assuring an even sealing against seats.

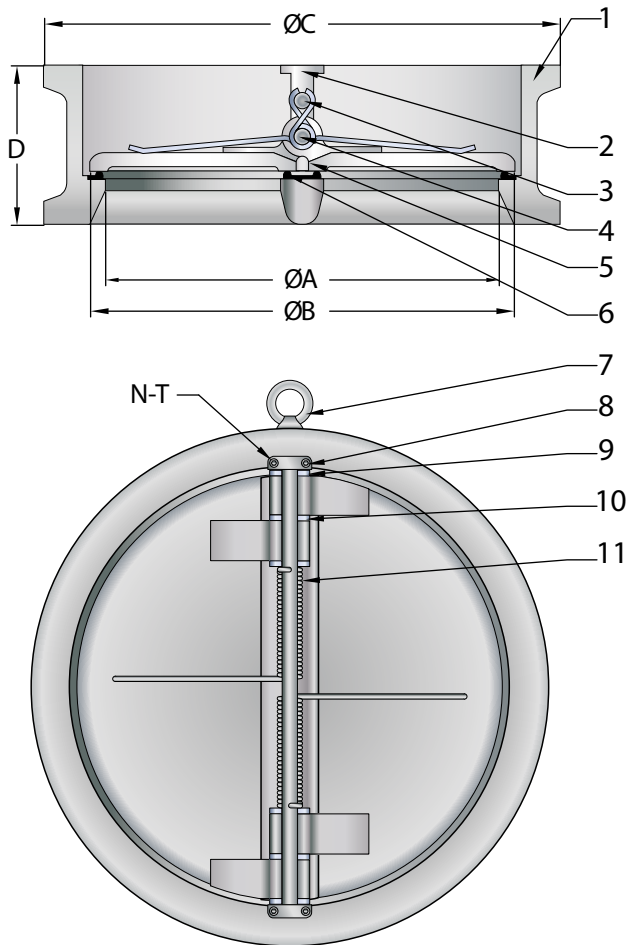
The 1CD series shaft is heavy duty and corrosion resistant allowing full support of the disc plates under high velocity flow as well as high pressure closure.

Thrust washers are used between all moving wear points to reduce friction and wear.

The 1CD series valve offers a broad range of materials allowing customers to select a valve construction that best suits the application.

Size range = 2" - 36" ANSI 125, 150 & 300

# Dual Door Wafer Check Valve ABZ 1CD



## Valve Description

Item No.	Part No.
1	Body
2	Pin Insert
3	Upper Stem
4	Lower Stem
5	Disc
6	Seat
7	Hook
8	Hex Screw
9	Body Bearing
10	Disc Bearing
11	Spring

# Dual Door Wafer Check Valve ABZ 1CD



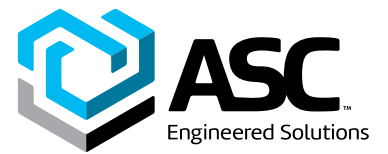
## Class 125

Size		ØA	ØB	ØC	ØD	N-T	
(inch)	(mm)	(inch)	(inch)	(inch)	(inch)	Qty.	Size
2"	50	1.772	2.047	4.134	2.126	4	8-32 UNC
2.5"	65	2.244	2.599	4.882	2.126	4	8-32 UNC
3"	80	2.756	3.150	5.394	2.244	4	8-32 UNC
4"	100	3.622	4.173	6.890	2.520	4	8-32 UNC
5"	125	4.528	5.079	7.756	2.756	4	8-32 UNC
6"	150	5.433	6.063	8.740	2.992	4	8-32 UNC
8"	200	7.323	8.071	10.980	3.740	4	8-32 UNC
10"	250	9.055	10.079	13.386	4.252	4	8-32 UNC
12"	300	10.827	11.811	16.142	5.630	4	8-32 UNC
14"	350	12.756	13.780	17.756	7.244	4	10-24 UNC
16"	400	14.370	15.354	20.236	7.520	4	¼-20 UNC
18"	450	15.748	16.929	21.614	7.992	4	¼-20 UNC
20"	500	17.795	18.898	23.858	8.386	4	¼-20 UNC
24"	600	21.575	23.288	28.268	8.740	4	⅝-18 UNC

## Class 150

Size		ØA	ØB	ØC	ØD	N-T	
(inch)	(mm)	(inch)	(inch)	(inch)	(inch)	Qty.	Size
2"	50	1.772	2.047	4.134	2.362	4	8-32 UNC
2.5"	65	2.244	2.599	4.882	2.638	4	8-32 UNC
3"	80	2.756	3.150	5.394	2.874	4	8-32 UNC
4"	100	3.622	4.173	6.890	2.874	4	8-32 UNC
5"	125	4.528	5.079	7.756	3.386	4	8-32 UNC
6"	150	5.433	6.063	8.740	3.858	4	8-32 UNC
8"	200	7.323	8.071	10.980	5.000	4	8-32 UNC
10"	250	9.055	10.079	13.386	5.748	4	8-32 UNC
12"	300	10.827	11.811	16.142	7.126	4	8-32 UNC
14"	350	12.756	13.780	17.756	7.244	4	10-24 UNC
16"	400	14.370	15.354	20.236	7.520	4	¼-20 UNC
18"	450	15.748	16.929	21.614	7.992	4	¼-20 UNC
20"	500	17.795	18.898	23.858	8.622	4	¼-20 UNC
24"	600	21.575	23.288	28.268	8.740	4	⅝-18 UNC

# Dual Door Wafer Check Valve ABZ 1CD



## Class 300

Size		ØA	ØB	ØC	ØD	N-T	
(inch)	(mm)	(inch)	(inch)	(inch)	(inch)	Qty.	Size
2"	50	1.772	2.047	4.370	2.362	4	8-32 UNC
2.5"	65	2.244	2.599	5.118	2.638	4	8-32 UNC
3"	80	2.756	3.150	5.866	2.874	4	8-32 UNC
4"	100	3.622	4.173	7.126	2.874	4	8-32 UNC
5"	125	4.528	5.079	8.504	3.386	4	8-32 UNC
6"	150	5.433	6.063	9.882	3.858	4	8-32 UNC
8"	200	7.323	8.071	12.126	5.000	4	8-32 UNC
10"	250	9.055	10.079	14.252	5.748	4	8-32 UNC
12"	300	10.827	11.811	16.614	7.126	4	8-32 UNC
14"	350	12.756	13.780	19.134	8.740	4	10-24 UNC
16"	400	14.370	15.354	21.260	9.134	4	¼-20 UNC
18"	450	15.748	16.929	20.504	10.394	4	¼-20 UNC
20"	500	17.795	18.898	25.748	11.496	4	¼-20 UNC
24"	600	21.575	23.288	30.511	12.520	4	5/16-18 UNC

### **About ASC Engineered Solutions**

ASC Engineered Solutions is defined by quality—in its products, services and support. With nearly 2,000 employees, the company's portfolio of precision-engineered piping support, valves and connections provides products to more than 4,000 customers across industries, such as mechanical, industrial, fire protection, oil and gas, and commercial and residential construction. Its portfolio of leading brands includes ABZ Valve®, AFCON®, Anvil®, Anvil EPS, Anvil Services, Basic-PSA, Beck®, Catawissa, Cooplet®, FlexHead®, FPPI®, Gruvlok®, J.B. Smith, Merit®, North Alabama Pipe, Quadrant®, SCI®, Sharpe®, SlideLOK®, SPF®, SprinkFLEX®, Trenton Pipe and VEP. With headquarters in Oak Brook, IL, ASC also has ISO 9001:2015 certified production facilities in PA, TN, IL, TX, AL, LA, KS, and RI.



[asc-es.com](http://asc-es.com)

Building connections that last™

FC-DS-ABZ 1CD-v01 20210426

