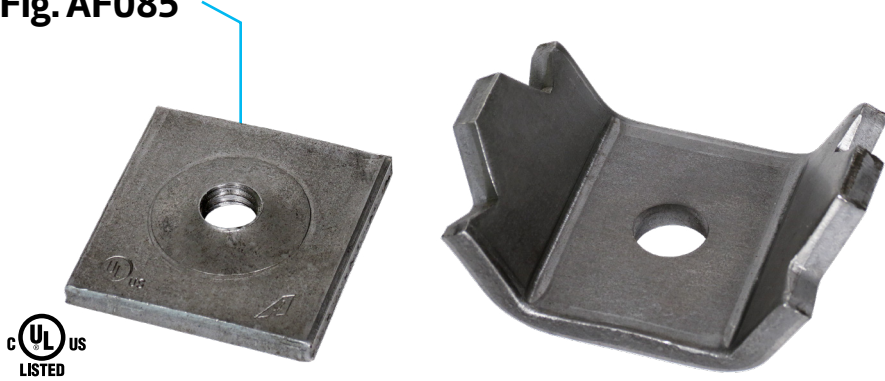


Seismic Joist Adapter Fig. AF085



Material Specifications

Size Range:
Joist Gap: ½" – 1 ¼"

Material
Carbon Steel

Finish
Plain
Electro-Galvanized per ASTM B633

Service
A seismic lateral brace designed to connect a brace member to the service pipe. The AF001 rigidly braces steel piping systems subjected to horizontal and vertical seismic loads.

Approvals
cULus Listed (ANSI/UL 203a)
Complies with NFPA 13, ASCE 7, IBC, & MSS SP-127 bracing requirements.

Features
Centers load on a steel joist.

Ordering
Specify figure number, finish, and description.

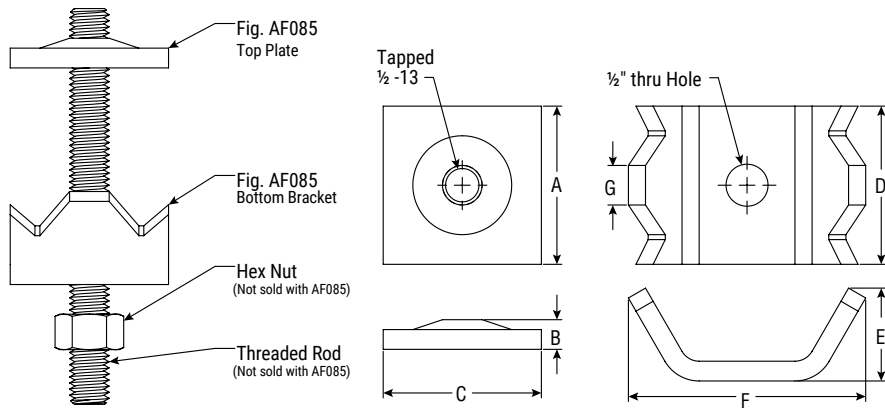


Fig. AF085: Dimensions and Weight

A	B	C	D	E	F	G	Weight
In./mm	In./mm	In./mm	In./mm	In./mm	In./mm	In./mm	lbs/kg
.00 50.8	0.38 9.5	2.00 50.8	2.00 50.8	3.19 81.0	3.00 76.2	0.50 12.7	0.72 lbs 0.33



PROJECT INFORMATION	APPROVAL STAMP
Project:	Approved
Address:	Approved as noted
Contractor:	Not approved
Engineer:	Remarks:
Submittal Date:	
Notes 1:	
Notes 2:	

Seismic Joist Adapter Fig. AF085

FIG. AF085 cULus Listing per ANSI/UL 203a (ASD)

Service Pipe Size	Load Orientation	Horizontal Load Rating at Brace Angle			Listed
		30°-44°	45°-59°	60°-90°	
Steel Joist Top Chord	Perpendicular to Flange	370 lbf (1.65 kN)	523 lbf (2.33 kN)	640 lbf (2.85 kN)	680 lbf (3.02 kN)

- 1) Listed for installation with Fig. AF075, AF076, AF077, AF700, and AF771. The lowest load rating at angle shall control the load rating of the assembly.
- 2) Brace Angles are determined from Vertical.
- 3) Listed load ratings reduced for angle ranges in accordance with NFPA 13-2019 Table 18.5.2.3.
- 4) Minimum safety factor of 2.2 in accordance with NFPA 13-2019 Section A.18.5.2.3.

FIG. AF085 cULus Listing per UL 203a (ASD) for NFPA 13-2016 Editions or Earlier

UL's current Listings are predicated on installation in accordance with the latest edition of NFPA 13. The 2016 and earlier editions of NFPA 13 referenced a minimum safety factor of 1.5 for the load rating as compared to 2.2 for the current edition. The load ratings noted in this table are consistent with the historical cULus Listings that were evaluated to the requirements of UL 203A, Outline of Investigation for Sway Brace Devices for Fire Sprinkler System Piping, based upon a minimum safety factor of 1.5 in accordance with the earlier editions of NFPA 13. The load ratings based upon the 2016 or earlier editions of NFPA 13 should only be used where approved by the Authority Having Jurisdiction (AHJ).

Service Pipe Size	Load Orientation	Horizontal Load Rating at Brace Angle			Listed
		30°-44°	45°-59°	60°-90°	
Steel Joist Top Chord	Perpendicular to Flange	1007 lbf (4.48 kN)	1425 lbf (6.34 kN)	1744 lbf (7.76 kN)	2015 lbf (8.96 kN)

- 1) Listed for installation with Fig. AF075, AF076, AF077, AF700, and AF771. The lowest load rating at angle shall control the load rating of the assembly.
- 2) Brace Angles are determined from Vertical.
- 3) Listed load ratings reduced for angle ranges in accordance with NFPA 13-2019 Table 18.5.2.3.
- 4) Minimum safety factor of 2.2 in accordance with NFPA 13-2019 Section A.18.5.2.3.

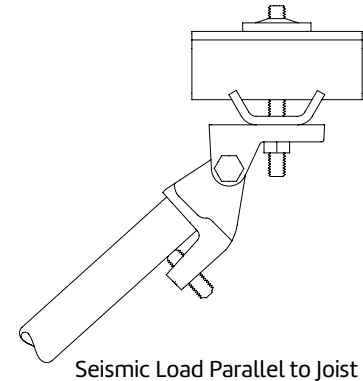
Notes:

ASC Engineered Solutions™ brand bracing components are designed to be compatible ONLY with other ASC Engineered Solutions brand bracing components, resulting in a Listed seismic bracing assembly. Updated UL listing information may be viewed at www.ul.com and updated FM approval information may be viewed at www.approvalguide.com.

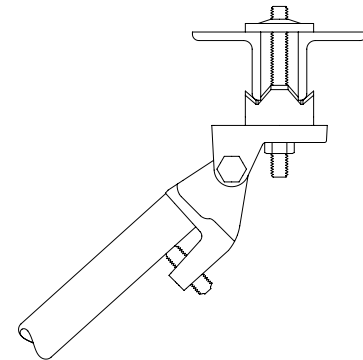
Disclaimer:

ASC Engineered Solutions does not provide any warranties and specifically disclaims any liability whatsoever with respect to ASC bracing products and components that are used in combination with products, parts or systems not manufactured or sold by ASC. In no event shall ASC be liable for any incidental, direct, consequential, special or indirect damages or lost profits where non-ASC bracing components have been, or are used.

SeisBrace® Seismic Fire Protection Design Tool may be accessed at www.seisbrace.com



Seismic Load Parallel to Joist



Seismic Load Perpendicular to Joist



asc-es.com

Building connections that last™