

Fig. AF310 (Formerly Afcon Fig. 310)

Surge Restrainer

Size Range: 1" thru 2" Figure 69, Swivel Ring Hanger

Material: Carbon steel

Finish: Pre-Galvanized per ASTM A653

Restrainer Service: Prevents vertical movement of horizontal sprinkler piping from thrust loads due to sprinkler activation. The surge restrainer is intended to be installed with Anvil's Figure 69 Swivel Ring Hanger.

Restraint Service: May be installed as part of a branch line seismic restraint assembly per the requirements of NFPA 13. The surge restrainer is intended to be installed with Anvil's Figure 69 Swivel Ring Hanger.

Approvals: cULus Listed (UL 203 and UL 203a). Complies with the hanging and restraint requirements listed in NFPA 13.

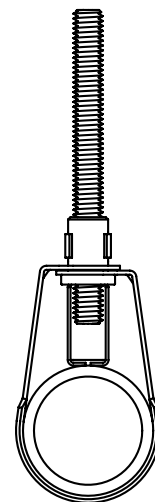
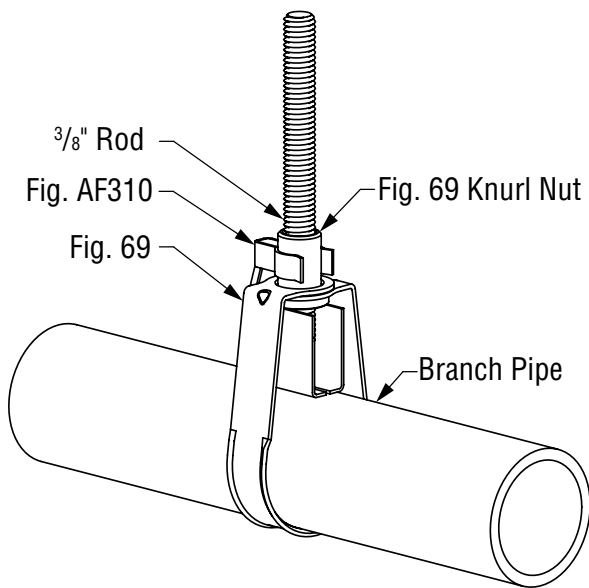
Features:

- One universal size accommodates Fig. 69 sizes 1" through 2".
- Simple design allows for quick installation on existing sprinkler systems.

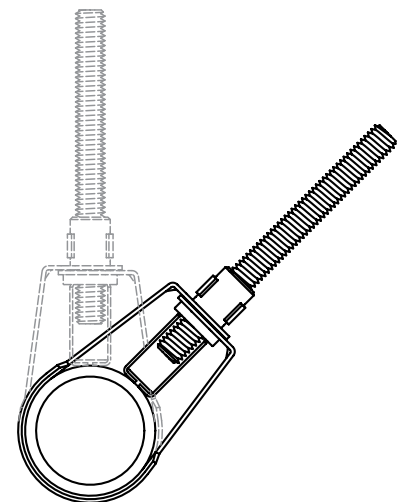
Installation Instructions:

- Snap surge restrainer onto the Fig. 69 knurl nut.
- The gap between the surge restrainer and service pipe shall not exceed 1/8".
- Fire Protection applications shall also be installed per the requirements of NFPA 13.

Ordering: Specify figure number and description.



Surge Restraint Assembly



Seismic Restraint Assembly

Notes: Anvil International® brand bracing components are designed to be compatible ONLY with other Anvil International® brand bracing components, resulting in a Listed seismic bracing assembly. Updated UL listing information may be viewed at www.ul.com

Disclaimer: Anvil International ("Anvil") does not provide any warranties and specifically disclaims any liability whatsoever with respect to Anvil bracing products and components that are used in combination with products, parts or systems not manufactured or sold by Anvil. In no event shall Anvil be liable for any incidental, direct, consequential, special or indirect damages or lost profits where non-Anvil bracing components have been, or are used.

**FIG. AF310:
LOADS (LBS) • DIMENSIONS (IN) • WEIGHT (LBS)**

Service Pipe Size	Rod Size	UL Max Seismic Restraint Load (UL 203a)	Approx. Weight/100
1 thru 2	3/8	300	4

PROJECT INFORMATION		APPROVAL STAMP	
Project:		<input type="checkbox"/> Approved	
Address:		<input type="checkbox"/> Approved as noted	
Contractor:		<input type="checkbox"/> Not approved	
Engineer:		Remarks:	
Submittal Date:			
Notes 1:			
Notes 2:			