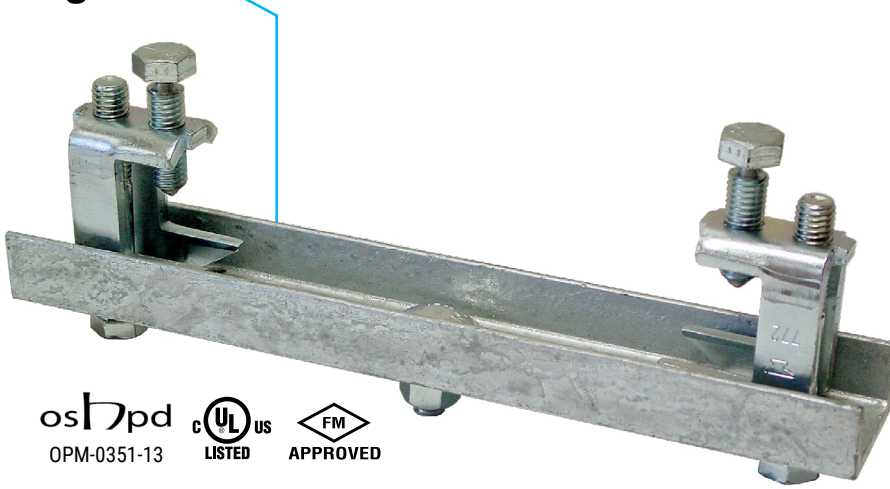


## Adjustable Steel Beam Attachment Fig. AF772



### Material Specifications

**Size Range:**

Flange Thickness: 3/8" - 1 1/4"  
Flange Widths: 4" - 15"

**Material**

Carbon Steel

**Finish**

Plain  
Electro-Galvanized per ASTM B633

**Service**

A seismic structural attachment designed to attach to steel I-beams. AF772 rigidly braces piping systems subjected to horizontal and vertical seismic loads.

**Approvals**

cULus Listed (ANSI/UL 203a), FM Approved (FM 1950-13), & OSHPD (OPM-0351-13). Complies with NFPA 13, ASCE 7, IBC, & MSS SP-127 bracing requirements.

**Features**

- The set screw provides a visual indication that proper installation has been achieved
- Centers the AF700, AF771, and AF076 below the beam

**Ordering**

Specify figure number, type, length, finish, and description.

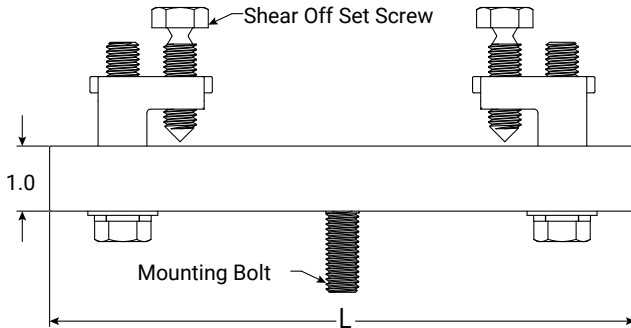


FIG. AF772 Dimensions (Type A)

Type	Length (L) In./mm	Beam Width In./mm	Mounting Bolt
A	9 229	4 - 7 102 - 178	1/2" (M12)
	12 305	7 - 10 178 - 254	
	14 356	9 - 12 229 - 305	

FIG. AF772 Dimensions (Type B)

Type	Length (L) In./mm	Beam Width In./mm	Mounting Bolt
B	9 229	4 - 7 102 - 178	1/2" (M12)
	12 305	7 - 10 178 - 254	
	14 356	9 - 12 229 - 305	
	17 432	12 - 14 305 - 356	



PROJECT INFORMATION	APPROVAL STAMP
Project:	Approved
Address:	Approved as noted
Contractor:	Not approved
Engineer:	Remarks:
Submittal Date:	
Notes 1:	
Notes 2:	

## Adjustable Steel Beam Attachment Fig. AF772

FIG. AF772 cULus Listing per ANSI/UL 203a (ASD)

Type	Flange	Load Orientation	Horizontal Load Rating at Brace Angle			
			30°-44°	45°-59°	60°-90°	Listed
A	0.500 – 0.750 in (12.70 – 19.05 mm)	Parallel to Flange and Perpendicular to Flange	340 lbf (1.51 kN)	480 lbf (2.15 kN)	588 lbf (2.62 kN)	680 lbf (3.20 kN)
B	0.751 – 1.250 in (19.08 – 31.75 mm)		500 lbf (2.22 kN)	707 lbf (3.15 kN)	865 lbf (3.85 kN)	1000 lbf (4.45 kN)

- 1) Listed for installation with Fig. AF700, AF771, and AF076.
- 2) Brace Angles are determined from Vertical.
- 3) Listed load ratings reduced for angle ranges in accordance with NFPA 13-2019 Table 18.5.2.3.
- 4) Minimum safety factor of 2.2 in accordance with NFPA 13-2019 Section A.18.5.2.3.

FIG. AF772 cULus Listing per UL 203a (ASD) for NFPA 13-2016 Editions or Earlier

UL's current Listings are predicated on installation in accordance with the latest edition of NFPA 13. The 2016 and earlier editions of NFPA 13 referenced a minimum safety factor of 1.5 for the load rating as compared to 2.2 for the current edition. The load ratings noted in this table are consistent with the historical cULus Listings that were evaluated to the requirements of UL 203A, Outline of Investigation for Sway Brace Devices for Fire Sprinkler System Piping, based upon a minimum safety factor of 1.5 in accordance with the earlier editions of NFPA 13. The load ratings based upon the 2016 or earlier editions of NFPA 13 should only be used where approved by the Authority Having Jurisdiction (AHJ).

Type	Flange	Load Orientation	Horizontal Load Rating at Brace Angle			
			30°-44°	45°-59°	60°-90°	Listed
A	0.500 – 0.750 in (12.70 – 19.05 mm)	Parallel to Flange	500 lbf (2.22 kN)	707 lbf (3.15 kN)	865 lbf (3.85 kN)	1000 lbf (4.45 kN)
		Perpendicular to Flange	800 lbf (3.56 kN)	1131 lbf (5.03 kN)	1385 lbf (6.16 kN)	1600 lbf (7.12 kN)
B	0.751 – 1.250 in (19.08 – 31.75 mm)	Parallel to Flange and Perpendicular to Flange	500 lbf (2.22 kN)	707 lbf (3.14 kN)	865 lbf (3.85 kN)	1000 lbf (4.45 kN)

- 1) Listed for installation with Fig. AF700 & AF771.
- 2) Brace Angles are determined from Vertical.
- 3) Listed load ratings reduced for angle ranges in accordance with NFPA 13-2016 Table 9.3.5.2.3.
- 4) Minimum safety factor of 1.5 in accordance with NFPA 13-2016 Section A.9.3.5.2.3.

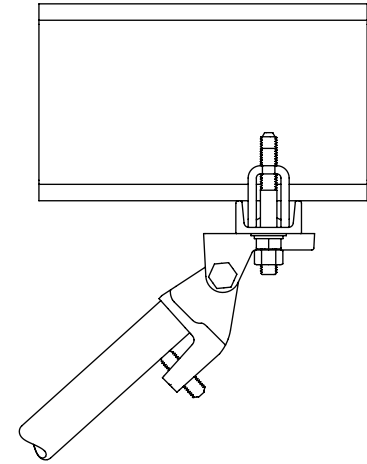
FIG. AF772 FM Approved (Listing) per FM 1950-13 (ASD)

Type	Flange	Load Orientation	Horizontal Load Rating at Brace Angle			
			30°-44°	45°-59°	60°-74°	75°-90°
A	0.500 – 0.750 in (9.53 – 19.05 mm)	Parallel to Flange	470 lbf (2.09 kN)	480 lbf (2.14 kN)	580 lbf (2.58 kN)	640 lbf (2.85 kN)
		Perpendicular to Flange	540 lbf (2.4 kN)	710 lbf (3.16 kN)	880 lbf (3.91 kN)	980 lbf (4.36 kN)
B	0.751 – 1.250 in (19.08 – 31.75 mm)	Parallel to Flange	330 lbf (1.47 kN)	640 lbf (2.85 kN)	790 lbf (3.51 kN)	880 lbf (3.91 kN)
		Perpendicular to Flange	470 lbf (2.09 kN)	740 lbf (3.29 kN)	910 lbf (4.05 kN)	1010 lbf (4.49 kN)

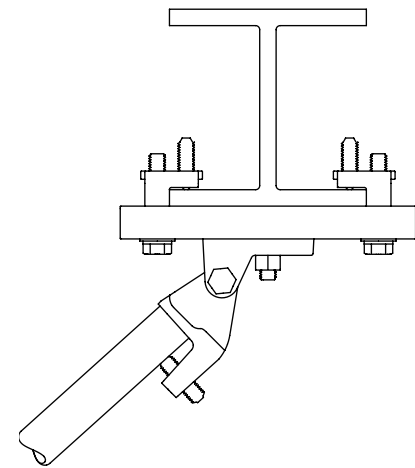
- 1) Listed for installation with Fig. AF700 & AF771
- 2) Brace Angles are determined from Vertical.
- 3) Minimum safety factor of 1.5 in accordance with NFPA 13-2016 Section A.9.3.5.2.3. To convert the load ratings above to a safety factor of 2.2 per NFPA 13-2019 Section A.18.5.2.3, multiply load ratings by a factor of 0.68.
- 4) To convert to LRFD Load Ratings, ASD Load Ratings may be multiplied by a factor of 1.5.

**Notes:**

ASC Engineered Solutions™ brand bracing components are designed to be compatible ONLY with other ASC Engineered Solutions brand bracing components, resulting in a Listed seismic bracing assembly. Updated UL listing information may be viewed at [www.ul.com](http://www.ul.com) and updated FM approval information may be viewed at [www.approvalguide.com](http://www.approvalguide.com).



Horizontal Steel Flange  
Seismic Load Parallel to Flange



Horizontal Steel Flange  
Seismic Load Perpendicular to Flange

**Disclaimer:**

ASC Engineered Solutions does not provide any warranties and specifically disclaims any liability whatsoever with respect to ASC bracing products and components that are used in combination with products, parts or systems not manufactured or sold by ASC. In no event shall ASC be liable for any incidental, direct, consequential, special or indirect damages or lost profits where non-ASC bracing components have been, or are used.

**Seis Brace® Seismic Fire Protection Design Tool may be accessed at [www.seisbrace.com](http://www.seisbrace.com)**



[asc-es.com](http://asc-es.com)

Building connections that last™