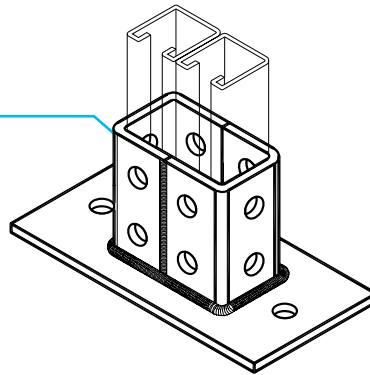


Double Column Post Base Figs. AS 2064, AS 3013FL, AS 3025, AS 3025FL

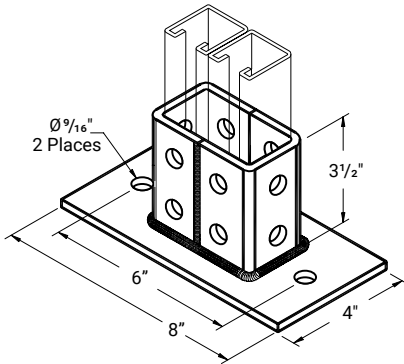


Description

Anvil-Strut Post Bases are designed to fit Anvil-Strut 1 5/8" wide channels. Anvil-Strut Post Bases are used to securely fasten channels to a surface.

Double Column Post Base

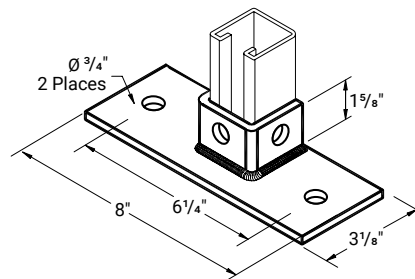
AS 2064 EG, GR



Use with AS 100, AS 200 BTB, AS 200 STS, AS 200 BTS,
& AS 200 STSR
Std Pkg 5 – Wt/100 pcs: 311 Lbs.

Single Post Base

AS 3013FL EG, GR



Use with AS 200 & AS 210
Std Pkg 10 – Wt/100 pcs: 230 Lbs.

LEGEND:

GR: Powder Coated Supr-Green **EG:** Electro-Galvanized **PG:** Pre-Galvanized **AL:** Aluminum
HG: Hot Dipped Galvanized **PL:** Plain **SS:** Stainless Steel
ZTC: Zinc Trivalent Chromium Stainless Steel (**SS**), Zinc Trivalent Chromium (**ZTC**) and Hot Dipped Galvanized (**HG**)
are specialty finishes. Pricing is located in the Specialty Strut Section of the Anvil-Strut price book.

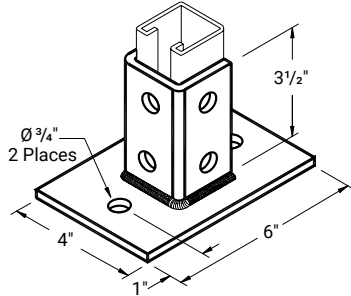


PROJECT INFORMATION	APPROVAL STAMP
Project:	Approved
Address:	Approved as noted
Contractor:	Not approved
Engineer:	Remarks:
Submittal Date:	
Notes 1:	
Notes 2:	

Double Column Post Base Figs. AS 2064, AS 3013FL, AS 3025, AS 3025FL

Single Post Base

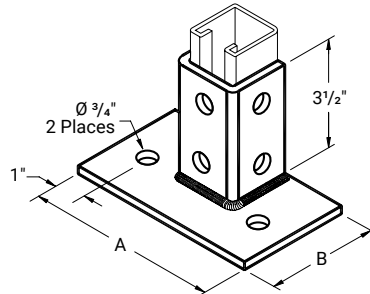
AS 3025 EG, GR



Use with AS 200 & AS 210
Std Pkg 10 - Wt./100 pcs: 358 Lbs.

Single Post Base

AS 3025FL EG, GR



A	B	Std. Pkg.	Wt./100 Pcs.
6"	4"	10	279
8"	3"	10	312

6" or 8" available
Use with AS 200 & AS 210
Std Pkg & Wt./100 pcs: See chart above.

LEGEND:

GR: Powder Coated Supr-Green **EG:** Electro-Galvanized **PG:** Pre-Galvanized **AL:** Aluminum
HG: Hot Dipped Galvanized **PL:** Plain **SS:** Stainless Steel
ZTC: Zinc Trivalent Chromium Stainless Steel (**SS**), Zinc Trivalent Chromium (**ZTC**) and Hot Dipped Galvanized (**HG**) are specialty finishes. Pricing is located in the Specialty Strut Section of the Anvil-Strut price book.