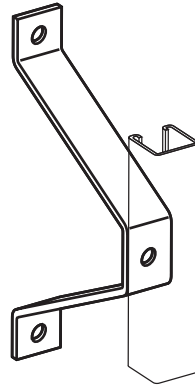


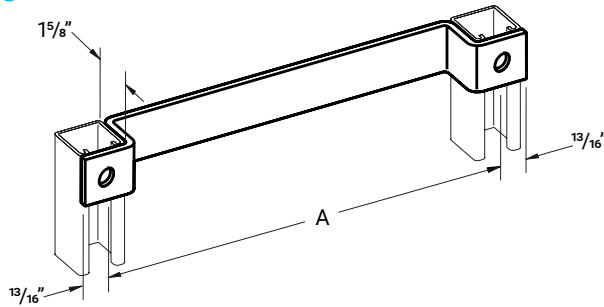
## Wall Ladder Bracket Fig. AS 2404



### Description

Anvil-Strut Miscellaneous Fittings are designed to fit with all Anvil-Strut 1 5/8" wide channels. Unless otherwise noted, Anvil-Strut Miscellaneous Fittings are manufactured from 1/4" thick carbon steel, 1 5/8" wide, all holes are 9/16" diameter, spaced 1 7/8" on center and 13/16" from the end.

### Ladder Rung



AS 2401	GR, HG	Catalog No.	A	Wt./100 Pcs.
AS 2402	GR, HG	AS 2401	12"	170
AS 2403	GR, HG	AS 2402	15"	202
		AS 2403	18"	234

Std Pkg & Wt/100 pcs: See chart above.

Page notes unless otherwise specified: 1/4" thick, 1 5/8" wide, holes 9/16" diameter, spaced 1 7/8" on center and 13/16" from end.

#### LEGEND:

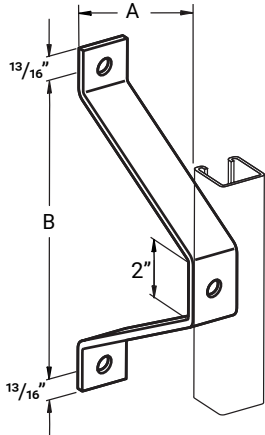
**GR:** Powder Coated Supr-Green **EG:** Electro-Galvanized **PG:** Pre-Galvanized **AL:** Aluminum  
**HG:** Hot Dipped Galvanized **PL:** Plain **SS:** Stainless Steel  
**ZTC:** Zinc Trivalent Chromium Stainless Steel (**SS**), Zinc Trivalent Chromium (**ZTC**) and Hot Dipped Galvanized (**HG**) are specialty finishes. Pricing is located in the Specialty Strut Section of the Anvil-Strut price book.



PROJECT INFORMATION	APPROVAL STAMP
Project:	Approved
Address:	Approved as noted
Contractor:	Not approved
Engineer:	Remarks:
Submittal Date:	
Notes 1:	
Notes 2:	

## Wall Ladder Bracket Fig. AS 2404

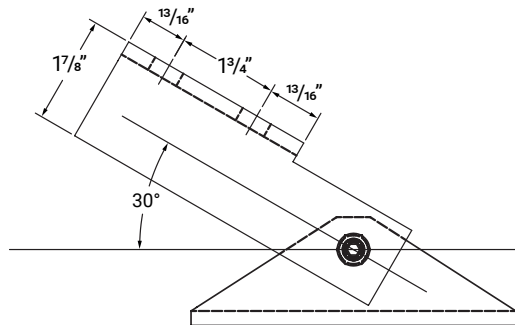
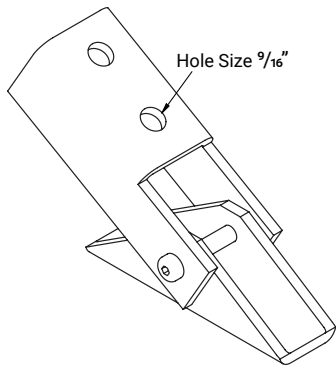
### Wall Ladder Bracket



AS 2404	GR, HG	Catalog No.	A	B	Wt./100 Pcs.
AS 2405	GR, HG	AS 2404	2 <sup>3</sup> / <sub>8</sub> "	6"	110
AS 2406	GR, HG	AS 2405	4 <sup>3</sup> / <sub>8</sub> "	8"	164
AS 2407	GR, HG	AS 2406	6 <sup>3</sup> / <sub>8</sub> "	10"	200
AS 2408	GR, HG	AS 2407	8 <sup>3</sup> / <sub>8</sub> "	12"	253
		AS 2408	10 <sup>3</sup> / <sub>8</sub> "	14"	328

Std Pkg 10 – Wt/100 pcs: See chart above.

### Adjustable Bases



AS 9400	EG, GR	Catalog No.	Description	Std. Pkg.	Wt./100 Pcs.
AS 9401	EG, GR	AS 9400	Adjustable Base	10	307
		AS 9401	Double Adjustable Base	5	497

Std Pkg & Wt/100 pcs: See chart above.

#### LEGEND:

**GR:** Powder Coated Supr-Green **EG:** Electro-Galvanized **PG:** Pre-Galvanized **AL:** Aluminum  
**HG:** Hot Dipped Galvanized **PL:** Plain **SS:** Stainless Steel  
**ZTC:** Zinc Trivalent Chromium Stainless Steel (**SS**), Zinc Trivalent Chromium (**ZTC**) and Hot Dipped Galvanized (**HG**) are specialty finishes. Pricing is located in the Specialty Strut Section of the Anvil-Strut price book.