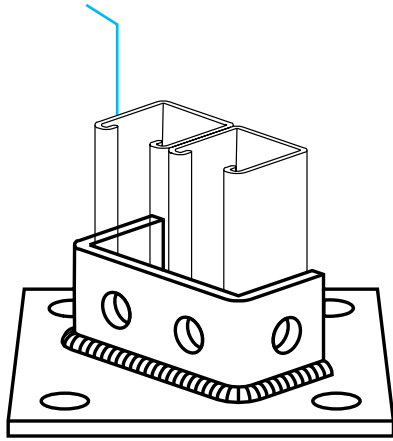


Double Column Post Base Figs. AS 3029, AS 3040, AS 3064, AS 3064SQ

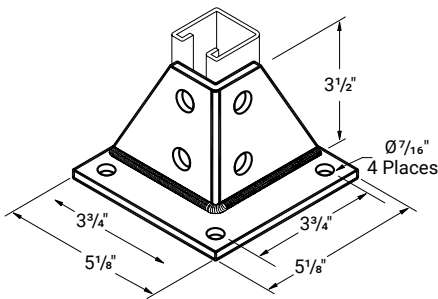


Description

Anvil-Strut Post Bases are designed to fit Anvil-Strut 1⁵/₈" wide channels. Anvil-Strut Post Bases are used to securely fasten channels to a surface.

Post Base

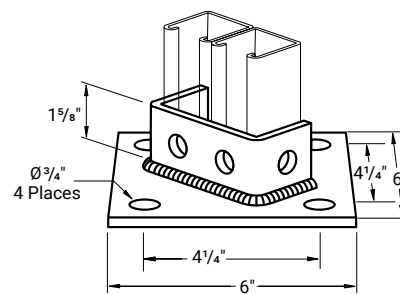
AS 3040 EG, GR



Use with AS 200 & AS 210
Std Pkg 10 – Wt/100 pcs: 297 Lbs.

Double Post Base

AS 3029 EG, GR



Use with all 3¹/₄" Channels
Std Pkg 5 – Wt/100 pcs: 325 Lbs.

LEGEND:

GR: Powder Coated Supr-Green **EG:** Electro-Galvanized **PG:** Pre-Galvanized **AL:** Aluminum
HG: Hot Dipped Galvanized **PL:** Plain **SS:** Stainless Steel **ZTC:** Zinc Trivalent Chromium
Stainless Steel (**SS**), Zinc Trivalent Chromium (**ZTC**) and Hot Dipped Galvanized (**HG**) are specialty finishes.
Pricing is located in the Specialty Strut Section of the Anvil-Strut price book.

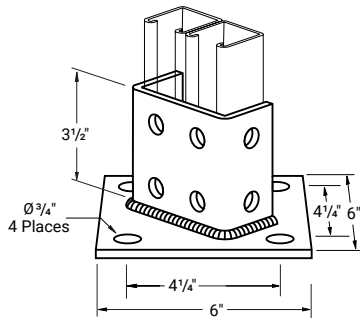


PROJECT INFORMATION	APPROVAL STAMP
Project:	Approved
Address:	Approved as noted
Contractor:	Not approved
Engineer:	Remarks:
Submittal Date:	
Notes 1:	
Notes 2:	

Double Column Post Base Figs. AS 3029, AS 3040, AS 3064, AS 3064SQ

Double Post Base

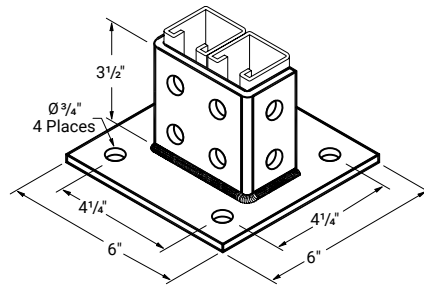
AS 3064 EG, GR, ZTC



Use with all 3/4" Channels
Std Pkg 10 - Wt/100 pcs: 408 Lbs.

Double Post Base

AS 3064SQ EG, GR



Use with all 3/4" Channels
Std Pkg 10 - Wt/100 pcs: 408 Lbs.

LEGEND:

GR: Powder Coated Supr-Green **EG:** Electro-Galvanized **PG:** Pre-Galvanized **AL:** Aluminum
HG: Hot Dipped Galvanized **PL:** Plain **SS:** Stainless Steel **ZTC:** Zinc Trivalent Chromium
Stainless Steel (**SS**), Zinc Trivalent Chromium (**ZTC**) and Hot Dipped Galvanized (**HG**) are specialty finishes.
Pricing is located in the Specialty Strut Section of the Anvil-Strut price book.