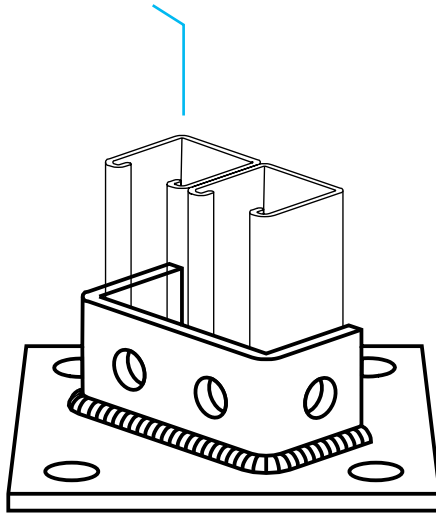


## Double Column Post Base Fig. AS 3029

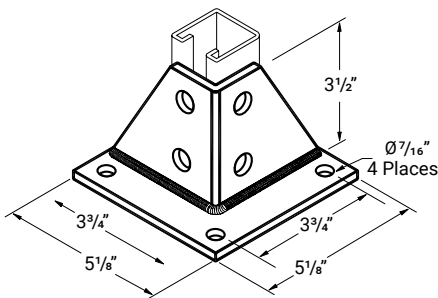


### Description

Anvil-Strut Post Bases are designed to fit Anvil-Strut 1 5/8" wide channels. Anvil-Strut Post Bases are used to securely fasten channels to a surface.

### Post Base

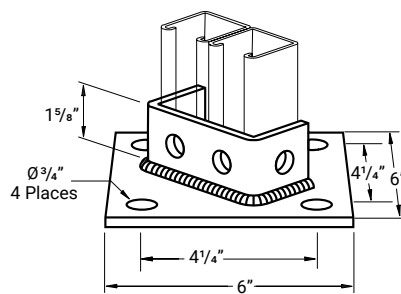
AS 3040 EG, GR



Use with AS 200 & AS 210  
Std Pkg 10 - Wt/100 pcs: 297 Lbs.

### Double Post Base

AS 3029 EG, GR



Use with all 3 1/4" Channels  
Std Pkg 5 - Wt/100 pcs: 325 Lbs.

### LEGEND:

**GR:** Powder Coated Supr-Green **EG:** Electro-Galvanized **PG:** Pre-Galvanized **AL:** Aluminum  
**HG:** Hot Dipped Galvanized **PL:** Plain **SS:** Stainless Steel  
**ZTC:** Zinc Trivalent Chromium Stainless Steel (**SS**), Zinc Trivalent Chromium (**ZTC**) and Hot Dipped Galvanized (**HG**) are specialty finishes. Pricing is located in the Specialty Strut Section of the Anvil-Strut price book.

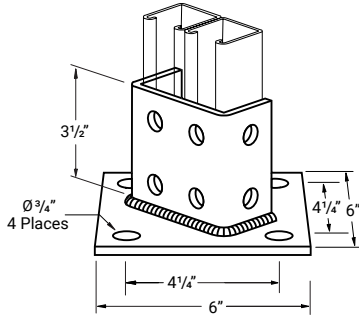


PROJECT INFORMATION	APPROVAL STAMP
Project:	Approved
Address:	Approved as noted
Contractor:	Not approved
Engineer:	Remarks:
Submittal Date:	
Notes 1:	
Notes 2:	

## Double Column Post Base Fig. AS 3029

### Double Post Base

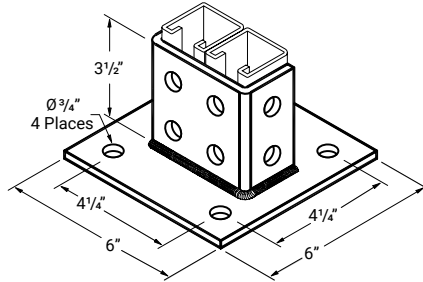
AS 3064 EG, GR, ZTC



Use with all 3 1/4" Channels  
Std Pkg 10 - Wt/100 pcs: 408 Lbs.

### Double Post Base

AS 3064SQ EG, GR



Use with all 3 1/4" Channels  
Std Pkg 10 - Wt/100 pcs: 408 Lbs.

#### LEGEND:

**GR:** Powder Coated Supr-Green **EG:** Electro-Galvanized **PG:** Pre-Galvanized **AL:** Aluminum  
**HG:** Hot Dipped Galvanized **PL:** Plain **SS:** Stainless Steel  
**ZTC:** Zinc Trivalent Chromium Stainless Steel (**SS**), Zinc Trivalent Chromium (**ZTC**) and Hot Dipped Galvanized (**HG**)  
are specialty finishes. Pricing is located in the Specialty Strut Section of the Anvil-Strut price book.